



Company Profile

Huizhou U&T Electronics, Inc. was established in December 2009, specializing in the development, manufacture and sales of magnetic devices. The company has an experienced, high-quality and aggressive management team.

Based on the principle of good faith and win-win, the company is committed to becoming the preferred supplier of customers' magnetic products and a trusted partner of suppliers. The company provides each employee with a platform for value realization and helps employees realize their life dreams. The company operates in a standardized way, actively participates in public welfare activities, and aims to become an enterprise of great value to industrial progress and social development.





Index

Index	02
SMD 10/100 Base-T Transformer	03-08
DIP 10/100 Base-T Transformer	09-13
SMD 100/1000 Base-T Transformer	14-24
DIP 100/1000 Base-T Transformer	25-46
SMD 2.5G Base-T Transformer	47-49
DIP 2.5G Base-T Transformer	50-52
SMD 5G Base-T Transformer	53-54
DIP 5G Base-T Transformer	55-57
SMD 10G Base-T Transformer	58-60
BMS Transformer	61-63
Chip Lan	64-66
RJ45 Connector	67-75

Features



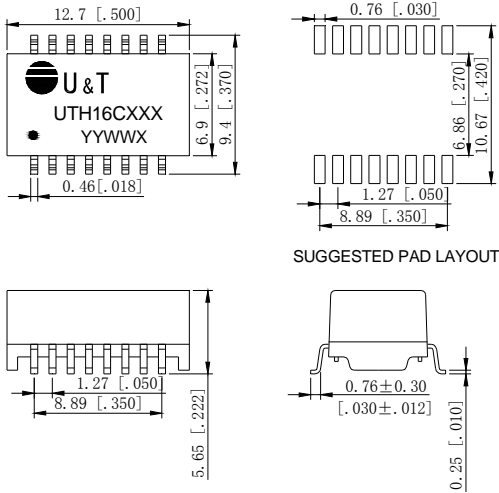
- RoHS compliant
- Compliant with IEEE 802.3u standard.
- Primary inductance: 350uH Min. @ 100KHz, 0.1 Vrms, 8mA

Electrical Specification @ 25°C

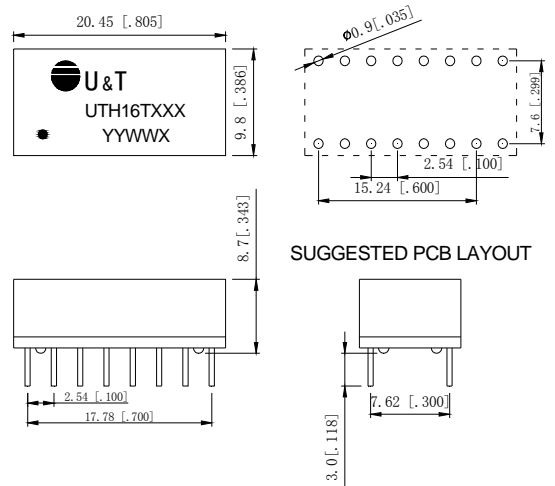
Part No.	Insertion loss	Return loss				CMRR	Cross talk	Operating temperature range	POE	Isolation	Package
	(dB Max)	(dB Typical)				(dB Min)	(dB Min)			Voltage	
	1-100MHz	MHz				MHz	MHz	°C	(Vrms Min)		
		1-30	40	50	60-80	1-100	1-100				
UTH16C01	-1.0	-16	-14.4	-13.1	-10	-30	-30	0-70	af	1500	A
UTH16C01P	-1.0	-16	-14.4	-13.1	-10	-30	-30	0-70	at	1500	A
UTH16C01W	-1.0	-16	-14.4	-13.1	-10	-30	-30	-40+85	af	1500	A
UTH16C01Q	-1.0	-16	-14.4	-13.1	-10	-30	-30	-40+85	at	1500	A
UTH16C01H	-1.0	-16	-14.4	-13.1	-10	-30	-30	0-70	af	3750 Vdc	A
UTH16A02	-1.0	-16	-14.4	-13.1	-10	-30	-30	0-70	af	1500	C
UTH16A02P	-1.0	-16	-14.4	-13.1	-10	-30	-30	0-70	at	1500	C
UTH16A02W	-1.0	-16	-14.4	-13.1	-10	-30	-30	-40+85	af	1500	C
UTH16A02Q	-1.0	-16	-14.4	-13.1	-10	-30	-30	-40+85	at	1500	C
UTH16C02	-1.0	-16	-14.4	-13.1	-10	-30	-30	0-70	af	1500	A
UTH16C02P	-1.0	-16	-14.4	-13.1	-10	-30	-30	0-70	at	1500	A
UTH16C02W	-1.0	-16	-14.4	-13.1	-10	-30	-30	-40+85	af	1500	A
UTH16C02Q	-1.0	-16	-14.4	-13.1	-10	-30	-30	-40+85	at	1500	A
UTH16C03	-1.0	-16	-14.4	-13.1	-10	-30	-30	0-70	Non	1500	A
UTH16C07	-1.0	-16	-14.4	-13.1	-10	-30	-30	0-70	Non	1500	A
UTH16C08	-1.0	-16	-14.4	-13.1	-10	-30	-30	0-70	Non	1500	A
UTH16C17	-1.0	-16	-14.4	-13.1	-10	-30	-30	0-70	af	1500	A
UTH16C17W	-1.0	-16	-14.4	-13.1	-10	-30	-30	-40+85	af	1500	A
UTH16C17Q	-1.0	-16	-14.4	-13.1	-10	-30	-30	-40+85	at	1500	A
UTH16C20	-1.0	-16	-14.4	-13.1	-10	-30	-30	0-70	af	1500	A
UTH16C20P	-1.0	-16	-14.4	-13.1	-10	-30	-30	0-70	at	1500	A
UTH16C20W	-1.0	-16	-14.4	-13.1	-10	-30	-30	-40+85	af	1500	A
UTH16C20Q	-1.0	-16	-14.4	-13.1	-10	-30	-30	-40+85	at	1500	A
UTH16T01M	-1.0	-16	-14.4	-13.1	-10	-30	-30	0-70	af	1500	B
UTH16T02M	-1.0	-16	-14.4	-13.1	-10	-30	-30	0-70	af	1500	B
UTH16T03M	-1.0	-16	-14.4	-13.1	-10	-30	-30	0-70	Non	1500	B
UTH16T05M	-1.0	-16	-14.4	-13.1	-10	-30	-30	0-70	Non	1500	B
UTH16T15M	-1.0	-16	-14.4	-13.1	-10	-30	-30	0-70	Non	1500	B
UTH16T16M	-1.0	-16	-14.4	-13.1	-10	-30	-30	0-70	Non	1500	B

Dimension: mm(inch) \pm 0.25(0.01)

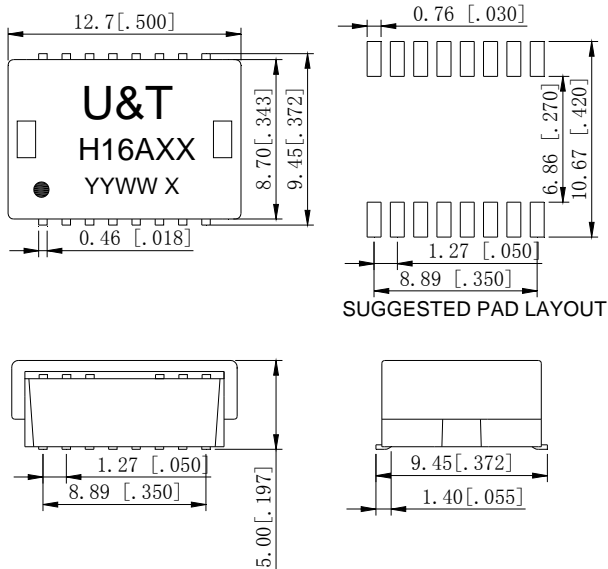
A



B

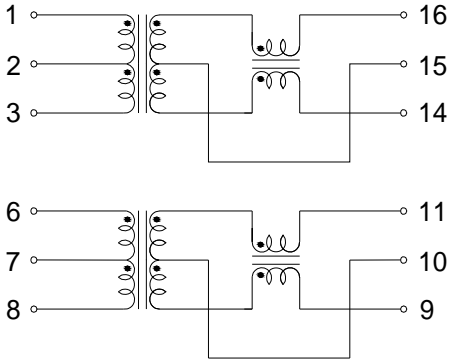


C

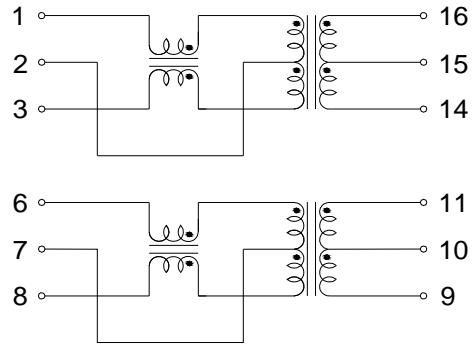


Schematic

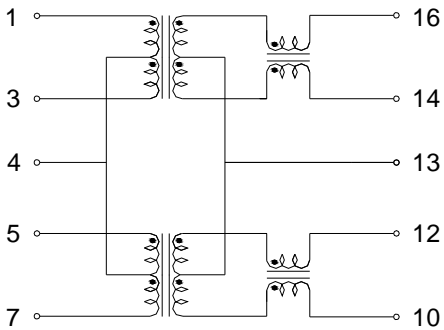
UTH16C01, UTH16C01P, UTH16C01W,
UTH16C01Q, UTH16C01H, UTH16T01M, UTH16
A02, UTH16A02P, UTH16A02W, UTH16A02Q



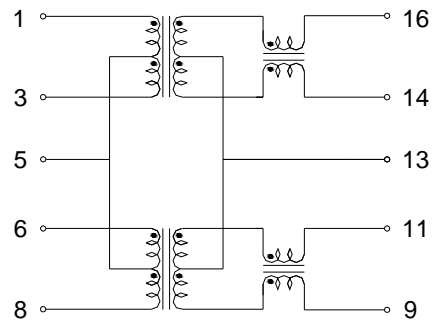
UTH16C02, UTH16C02P, UTH16C02W,
UTH16C02Q



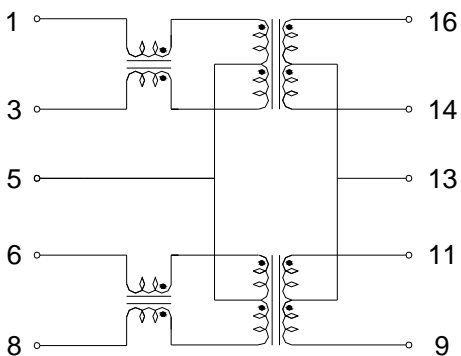
UTH16C03, UTH16T03M



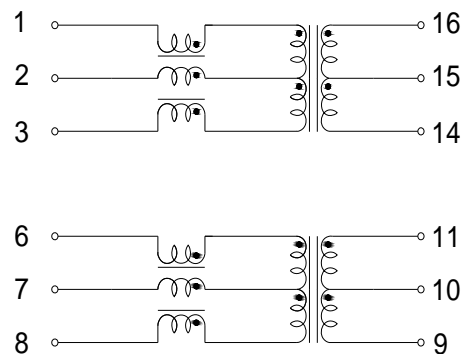
UTH16C07



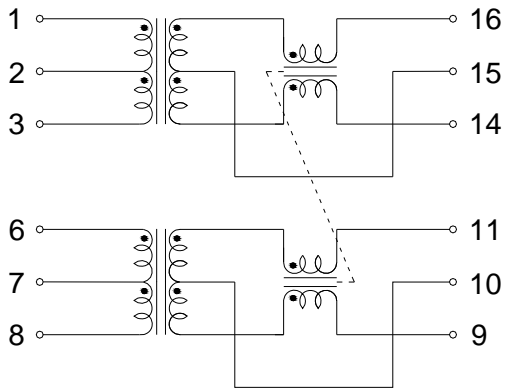
UTH16C08



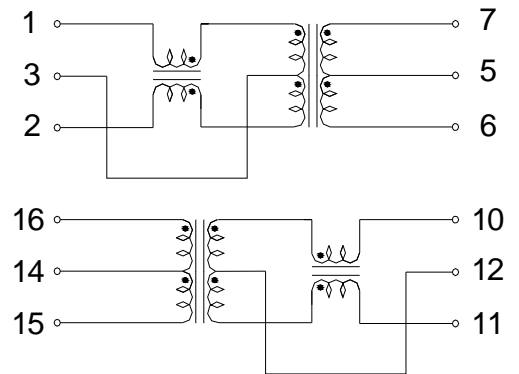
UTH16C17, UTH16C17W, UTH16C17Q



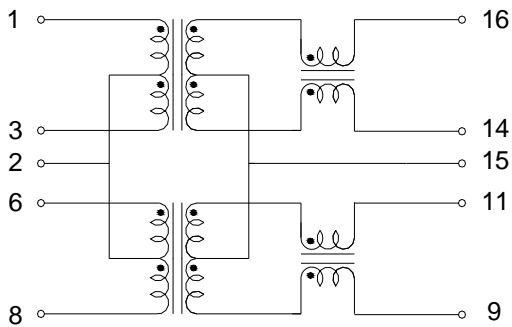
**UTH16C20, UTH16C20P, UTH16C20W,
UTH16C20Q**



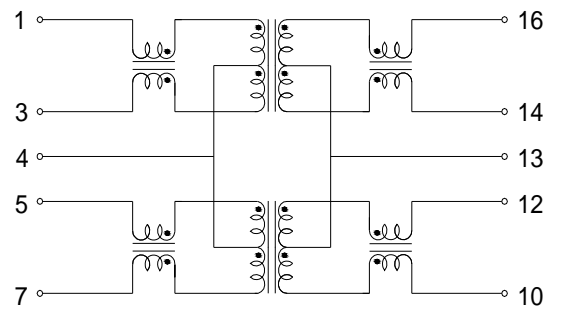
UTH16T02M



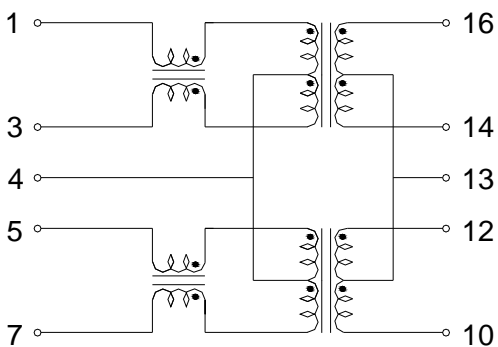
UTH16T05M



UTH16T15M



UTH16T16M



Features



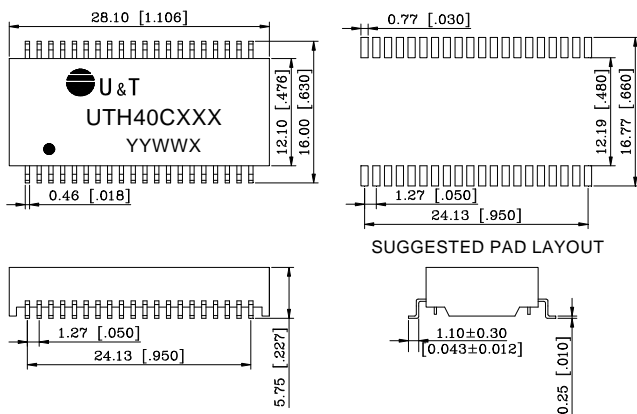
- RoHS compliant
- Compliant with IEEE 802.3u standard.
- Primary inductance: 350uH Min. @ 100KHz, 0.1Vrms, 8mA

Electrical Specification @ 25°C

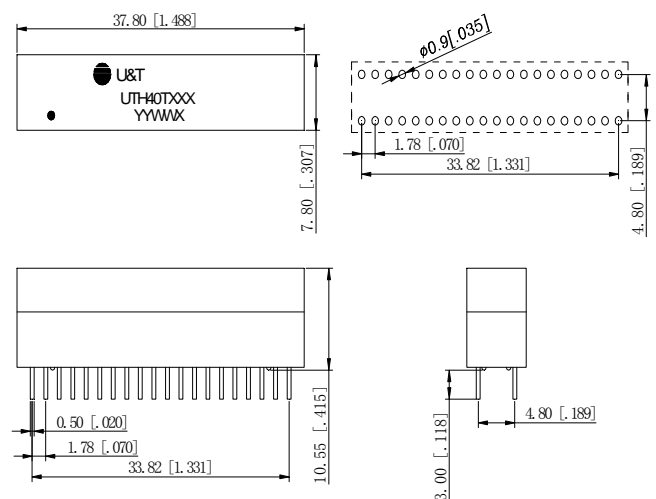
Part No.	Insertion loss	Return loss				CMRR	Cross talk	Operating temperature range	POE	Isolation	Package
	(dB Max)	(dB Typical)				(dB Min)	(dB Min)			Voltage	
	1-100MHz	MHz				MHz	MHz	(Vrms Min)			
		1-30	40	50	60-80	1-100	1-100	°C			
UTH40C01	-1.0	-16	-14.4	-13.1	-10	-30	-30	0-70	Non	1500	A
UTH40C01W	-1.0	-16	-14.4	-13.1	-10	-30	-30	-40+85	Non	1500	A
UTH40C01H	-1.0	-16	-14.4	-13.1	-10	-30	-30	0-70	Non	4000 Vdc	A
UTH40C02	-1.0	-16	-14.4	-13.1	-10	-30	-30	0-70	Non	1500	A
UTH40C04	-1.0	-16	-14.4	-13.1	-10	-30	-30	0-70	Non	1500	A
UTH40T01M	-1.0	-16	-14.4	-13.1	-10	-30	-30	0-70	Non	1500	B

Dimension: mm(inch)+/-0.25(0.01)

A

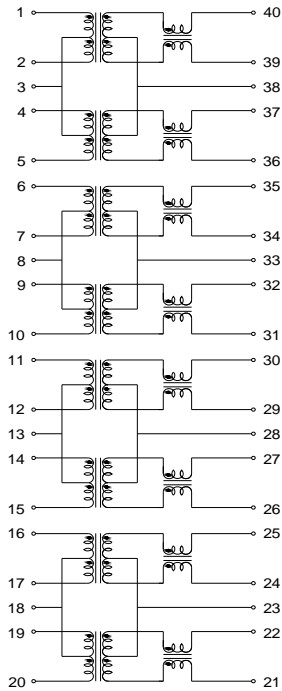


B

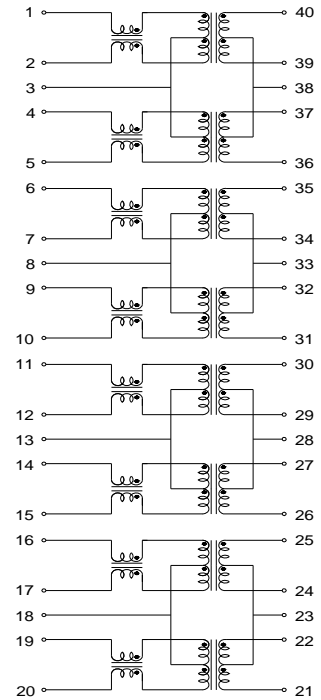


Schematic

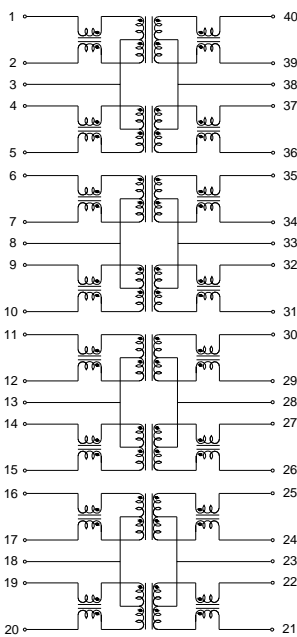
UTH40C01,UTH40C01W,UTH40C01H



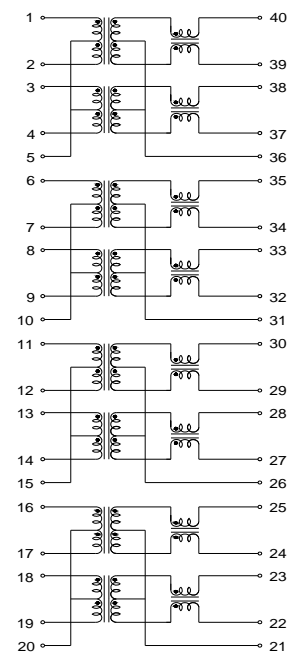
UTH40C02



UTH40C04



UTH40T01M



Features

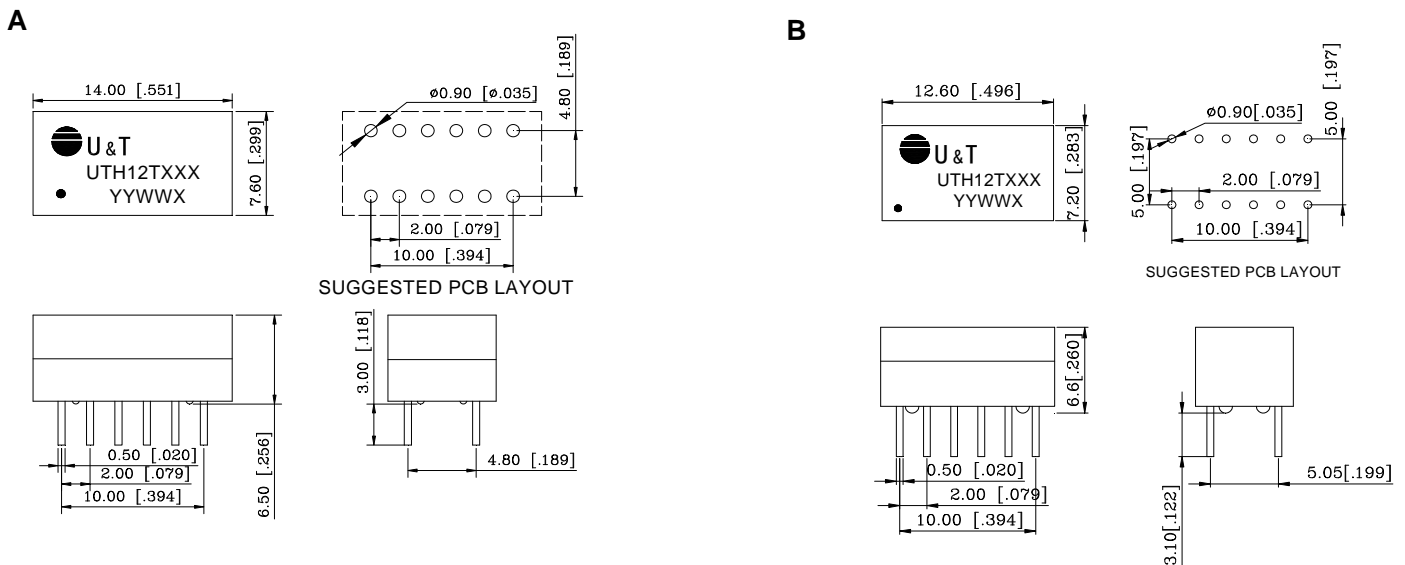


- RoHS compliant
- Compliant with IEEE 802.3u standard.
- Primary inductance: 350uH Min. @ 100KHz, 0.1 Vrms, 8mA

Electrical Specification @ 25°C

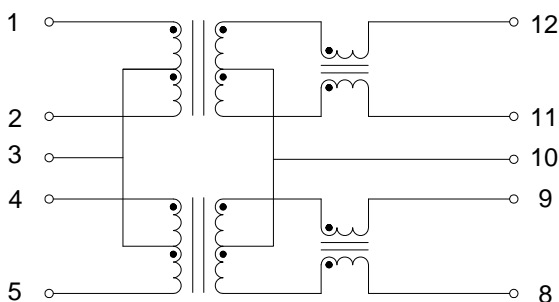
Part No.	Insertion loss	Return loss				CMRR	Cross talk	Operating temperature range	POE	Isolation	Package
	(dB Max)	(dB Typical)				(dB Min)	(dB Min)			Voltage	
	1-100MHz	MHz				MHz	MHz			(Vrms Min)	
		1-30	40	50	60-80	1-100	1-100				
UTH12T01M	-1.0	-16	-14.4	-13.1	-10	-30	-30	0-70	Non	1500	A
UTH12T02M	-1.0	-16	-14.4	-13.1	-10	-30	-30	0-70	af	1500	A
UTH12T05M	-1.0	-16	-14.4	-13.1	-10	-30	-30	0-70	af	1500	A
UTH12T10M	-1.0	-16	-14.4	-13.1	-10	-30	-30	0-70	af	1500	A
UTH12T30M	-1.0	-16	-14.4	-13.1	-10	-30	-30	0-70	af	1500	B

Dimension: mm(inch)+/-0.25(0.01)

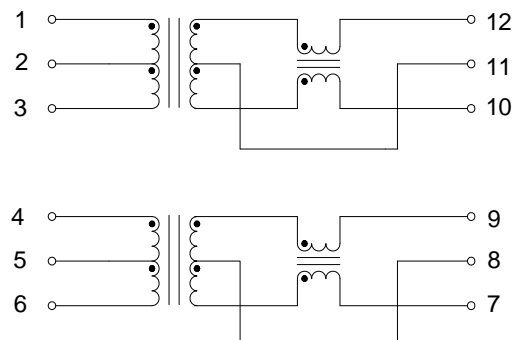


Schematic

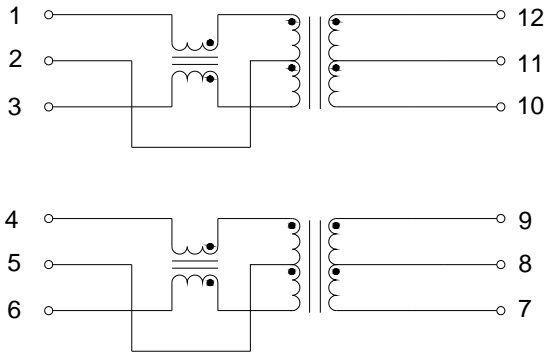
UTH12T01M



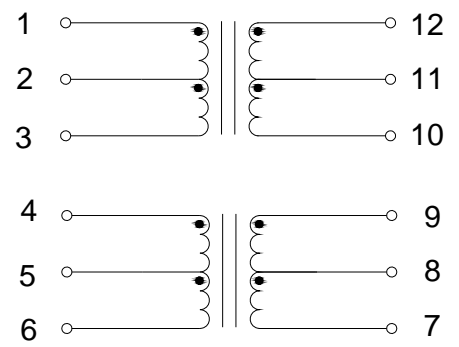
UTH12T02M UTH12T30M



UTH12T05M



UTH12T10M



Features



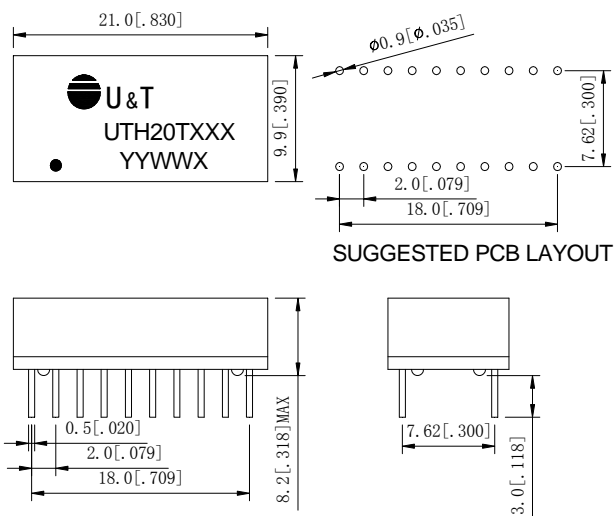
- RoHS compliant
- Compliant with IEEE 802.3u standard.
- Primary inductance: 350uH Min. @ 100KHz, 0.1 Vrms, 8mA

Electrical Specification @ 25°C

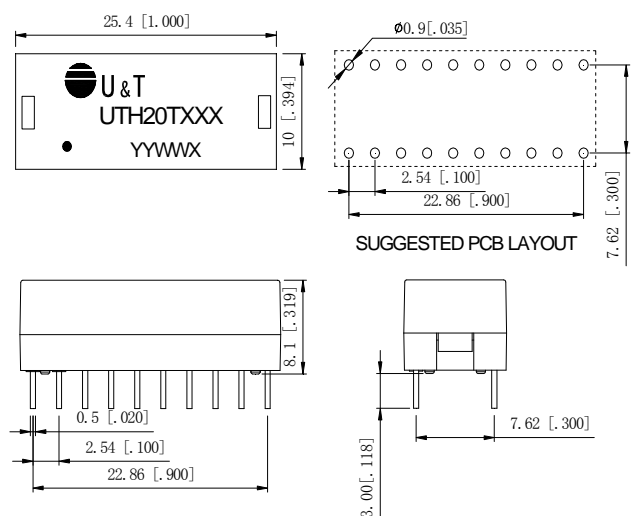
Part No.	Insertion loss	Return loss				CMRR	Cross talk	Operating temperature range	POE	Isolation	Package
	(dB Max)	(dB Typical)				(dB Min)	(dB Min)			Voltage	
	1-100MHz	MHz				MHz	MHz			(Vrms Min)	
		1-30	40	50	60-80	1-100	1-100			°C	
UTH20T02M	-1.0	-16	-14.4	-13.1	-10	-30	-30	0-70	Non	1500	A
UTH20T03M	-1.0	-16	-14.4	-13.1	-10	-30	-30	0-70	Non	1500	B
UTH20T04M	-1.0	-16	-14.4	-13.1	-10	-30	-30	0-70	Non	1500	B
UTH20T09M	-1.0	-16	-14.4	-13.1	-10	-30	-30	0-70	Non	1500	C
UTH20T11M	-1.0	-16	-14.4	-13.1	-10	-30	-30	0-70	Non	1500	B
UTH20T12M	-1.0	-16	-14.4	-13.1	-10	-30	-30	0-70	Non	1500	B
UTH20T16M	-1.0	-16	-14.4	-13.1	-10	-30	-30	0-70	Non	1500	A
UTH20T29	-1.0	-16	-14.4	-13.1	-10	-30	-30	0-70	Non	1500	B
UTH20T29W	-1.0	-16	-14.4	-13.1	-10	-30	-30	-40-+85	Non	1500	B
UTH20T29H	-1.0	-16	-14.4	-13.1	-10	-30	-30	0-70	Non	4000 Vdc	B

Dimension: mm(inch)+/-0.25(0.01)

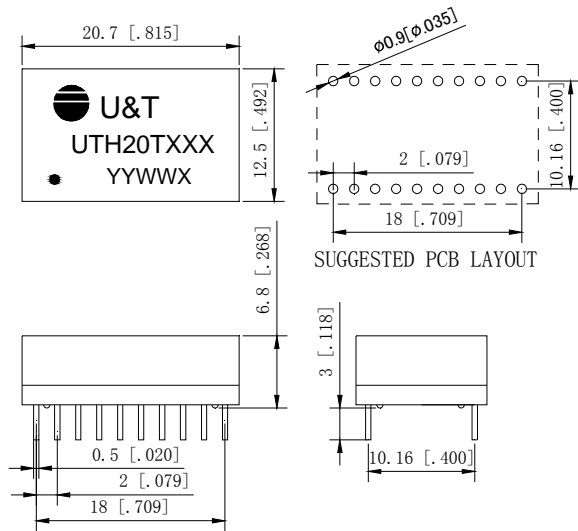
A



B

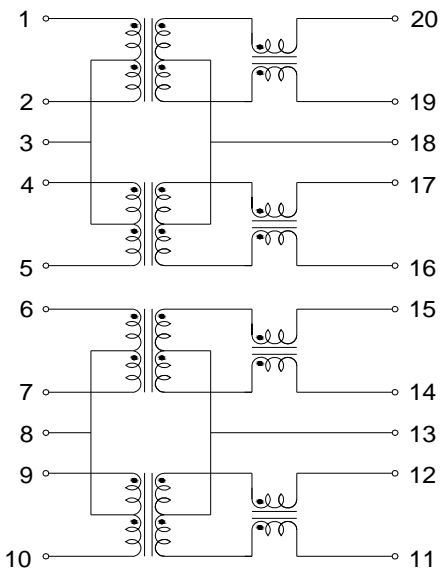


C

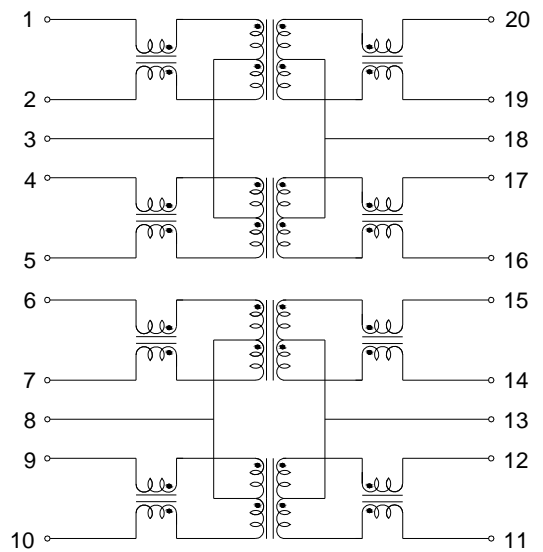


Schematic

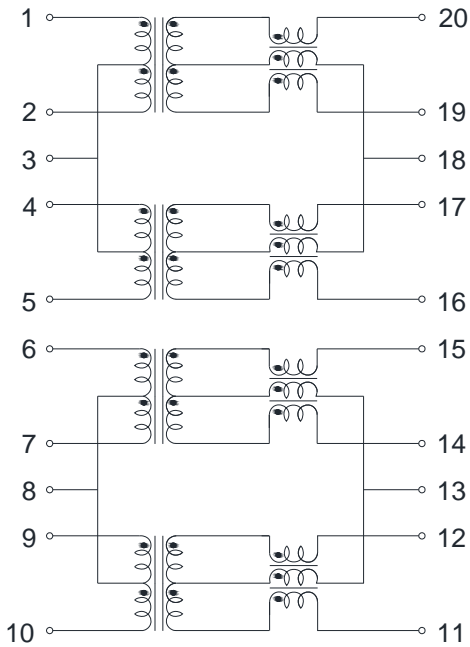
UTH20T02M, UTH20T29, UTH20T29W, UTH20T29H



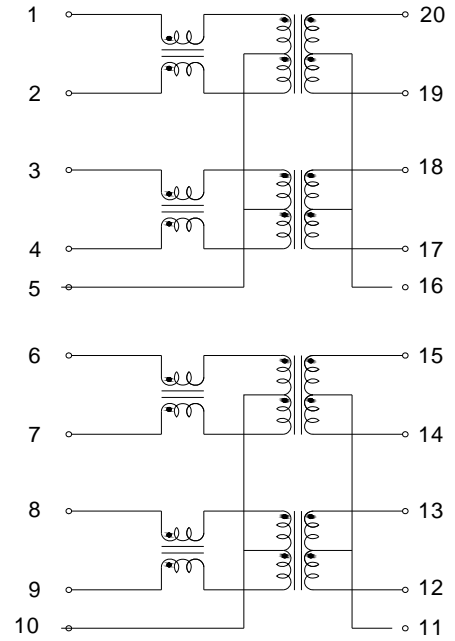
UTH20T03M



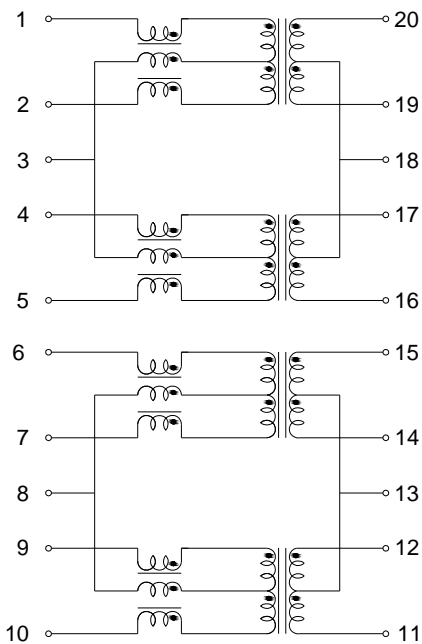
UTH20T04M



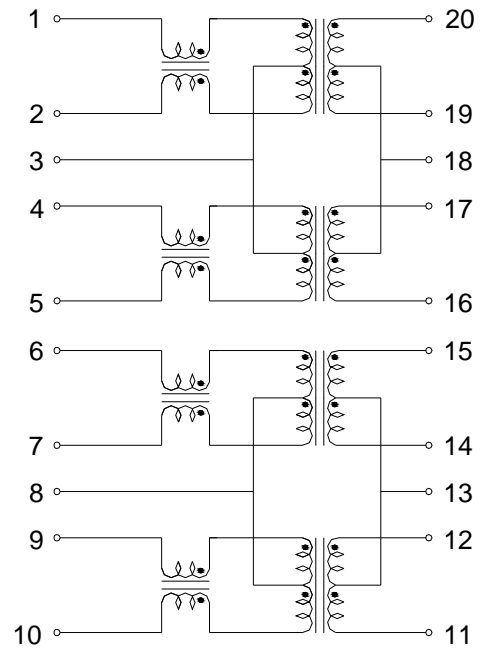
UTH20T09M



UTH20T011M



UTH20T012M, UTH20T16M



Features



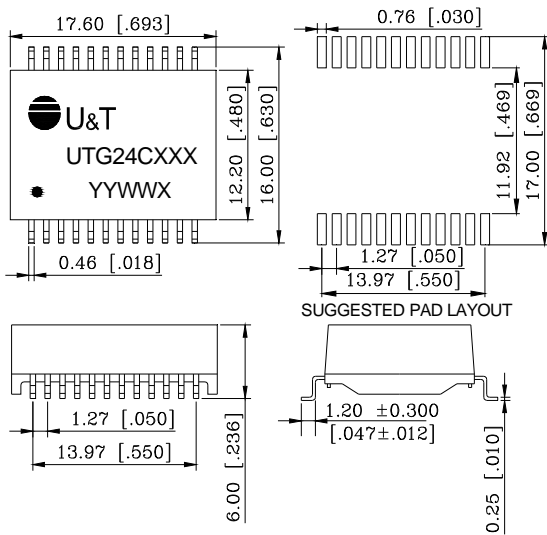
- RoHS compliant
- Compliant with IEEE 802.3ab standard.
- Primary inductance: 350uH Min. @ 100KHz, 0.1 Vrms, 8mA

Electrical Specification @ 25°C

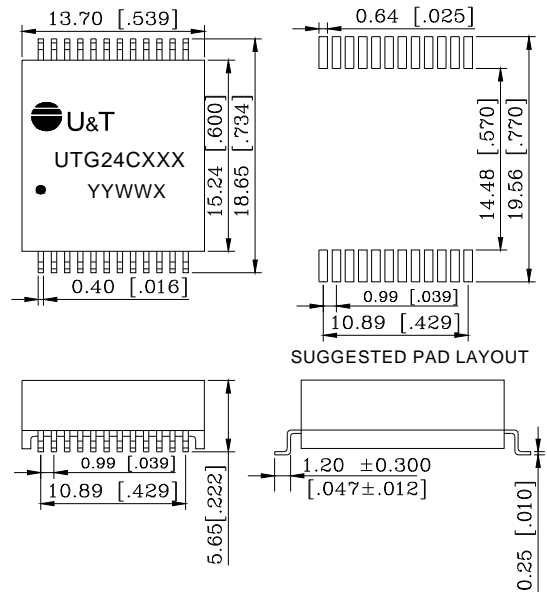
Part No.	Insertion loss	Return loss				CMRR	Cross talk	Operating temperature range	POE	Isolation	Package
	(dB Max)	(dB Typical)				(dB Min)	(dB Min)			Voltage	
	1-100MHz	MHz				MHz	MHz	°C	(Vrms Min)		
		1-30	40	50	80-100	1-100	1-100				
UTG24C01	-1.0	-18	-14.4	-13.1	-10	-30	-30	0-70	af	1500	A
UTG24C01P	-1.0	-18	-14.4	-13.1	-10	-30	-30	0-70	at	1500	A
UTG24C01W	-1.0	-18	-14.4	-13.1	-10	-30	-30	-40+85	af	1500	A
UTG24C01Q	-1.0	-18	-14.4	-13.1	-10	-30	-30	-40+85	at	1500	A
UTG24C01H	-1.0	-18	-14.4	-13.1	-10	-30	-30	0-70	af	4000 Vdc	A
UTG24C01T	-1.0	-18	-14.4	-13.1	-10	-30	-30	-40+105	af	1500	A
UTG24C02	-1.0	-18	-14.4	-13.1	-10	-30	-30	0-70	af	1500	A
UTG24C02W	-1.0	-18	-14.4	-13.1	-10	-30	-30	-40+85	af	1500	A
UTG24C04	-1.0	-18	-14.4	-13.1	-10	-30	-30	0-70	af	1500	A
UTG24C04P	-1.0	-18	-14.4	-13.1	-10	-30	-30	0-70	at	1500	A
UTG24C04W	-1.0	-18	-14.4	-13.1	-10	-30	-30	-40+85	af	1500	A
UTG24C04Q	-1.0	-18	-14.4	-13.1	-10	-30	-30	-40+85	at	1500	A
UTG24C04T	-1.0	-18	-14.4	-13.1	-10	-30	-30	-40+105	af	1500	A
UTG24C04G	-1.0	-18	-14.4	-13.1	-10	-30	-30	-40+105	at	1500	A
UTG24C05	-1.0	-18	-14.4	-13.1	-10	-30	-30	0-70	af	1500	B
UTG24C05W	-1.0	-18	-14.4	-13.1	-10	-30	-30	-40+85	af	1500	B
UTG24C10P	-1.0	-18	-14.4	-13.1	-10	-30	-30	0-70	at	1500	C
UTG24C10U	-1.0	-18	-14.4	-13.1	-10	-30	-30	0-70	bt	1500	C
UTG24C11	-1.0	-18	-14.4	-13.1	-10	-30	-30	0-70	af	1500	A
UTG24C11P	-1.0	-18	-14.4	-13.1	-10	-30	-30	0-70	at	1500	A
UTG24C11Q	-1.0	-18	-14.4	-13.1	-10	-30	-30	-40+85	at	1500	A
UTG24C11U	-1.0	-18	-14.4	-13.1	-10	-30	-30	0-70	bt	1500	A
UTG24C14	-1.0	-18	-14.4	-13.1	-10	-30	-30	0-70	af	1500	A
UTG24C14P	-1.0	-18	-14.4	-13.1	-10	-30	-30	0-70	at	1500	A
UTG24P04	-1.0	-18	-14.4	-13.1	-10	-30	-30	0-70	af	1500	D
UTG24P04W	-1.0	-18	-14.4	-13.1	-10	-30	-30	-40+85	af	1500	D
UTG24P05	-1.0	-18	-14.4	-13.1	-10	-30	-30	0-70	af	1500	D
UTG24P05W	-1.0	-18	-14.4	-13.1	-10	-30	-30	-40+85	af	1500	D
UTG24P08	-1.0	-18	-14.4	-13.1	-10	-30	-30	0-70	af	1500	D
UTG24P08W	-1.0	-18	-14.4	-13.1	-10	-30	-30	-40+85	af	1500	D
UTG24A05	-1.0	-18	-14.4	-13.1	-10	-30	-30	0-70	af	1500	E
UTG24A05W	-1.0	-18	-14.4	-13.1	-10	-30	-30	-40+85	af	1500	E

Dimension: mm(inch) \pm 0.25(0.01)

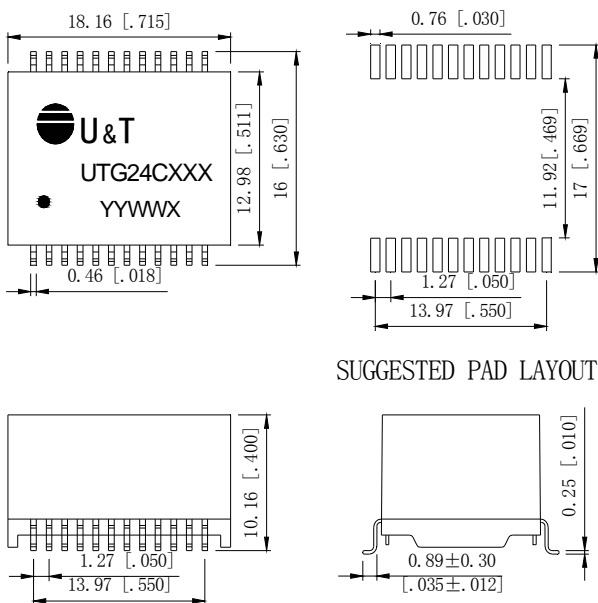
A



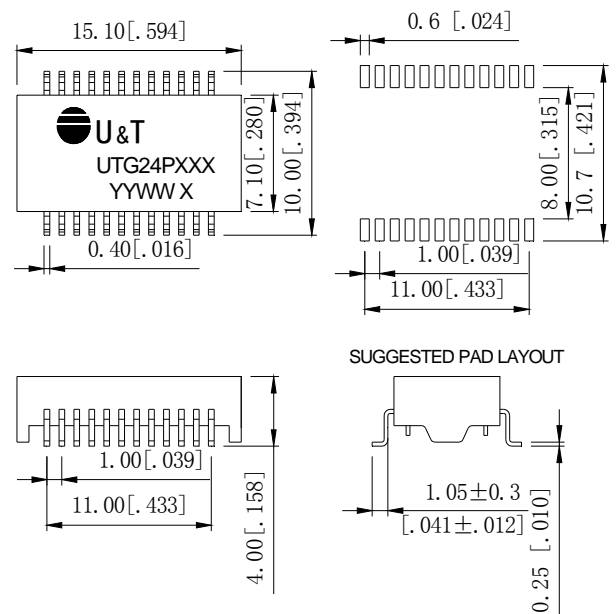
B



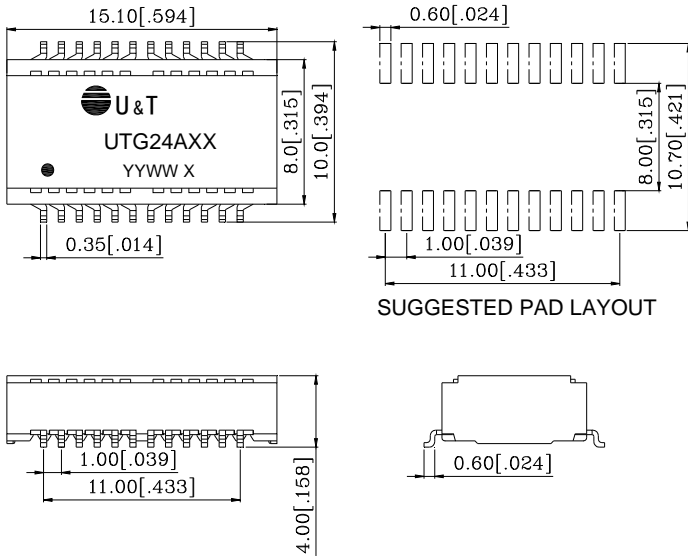
C



D



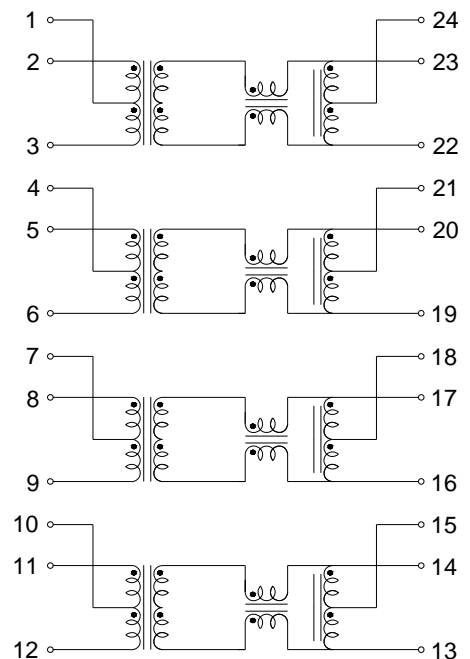
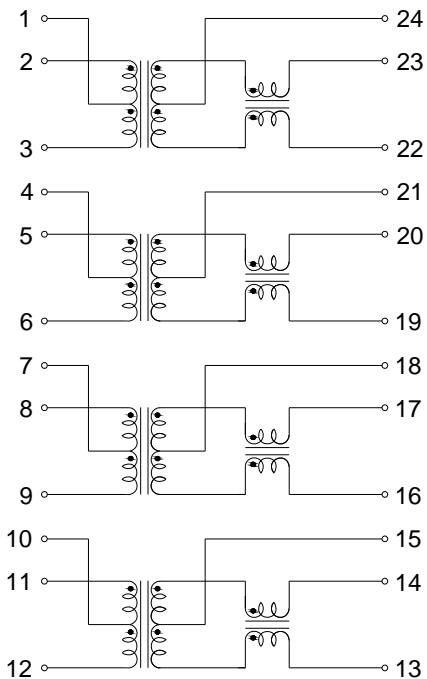
E



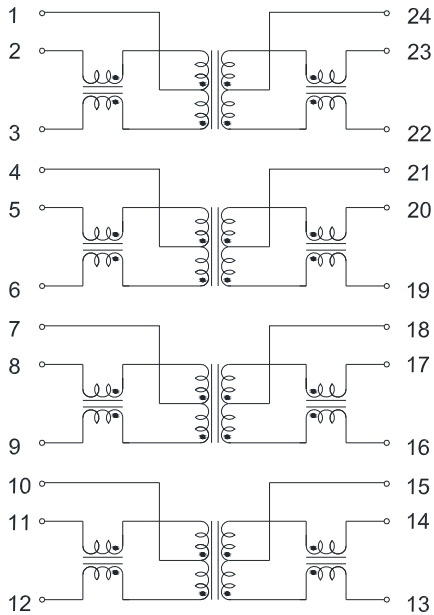
Schematic

UTG24C01, UTG24C01P, UTG24C01W, UTG24C01Q,
 UTG24C01H, UTG24C01T, UTG24P05, UTG24P05W,
 UTG24A05, UTG24A05W

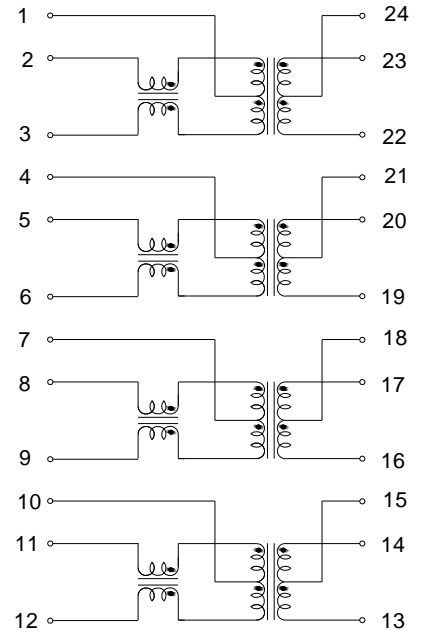
UTG24C02, UTG24C02W, UTG24C05, UTG24C05W



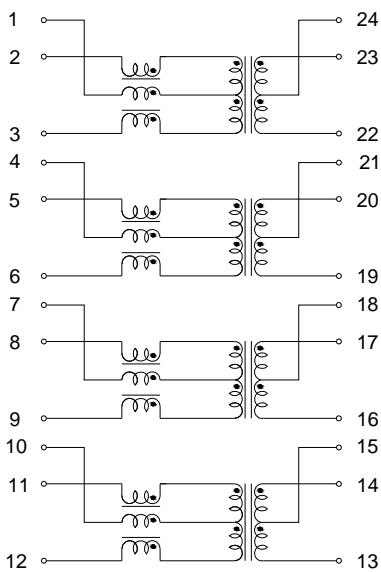
**UTG24C04,UTG24C04P,UTG24C04W,UTG24C04Q,
UTG24C04T,UTG24C04G**



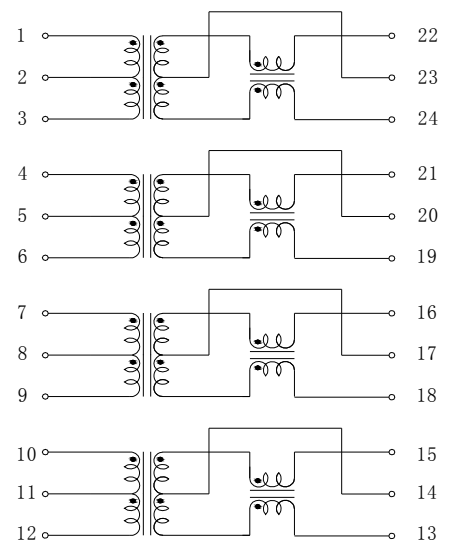
**UTG24C10P,UTG24C10U,UTG24C11,UTG24C11P,
UTG24C11Q,UTG24C11U,UTG24P08,UTG24P08W**



UTG24C14,UTG24C14P



UTG24P04,UTG24P04W



Features



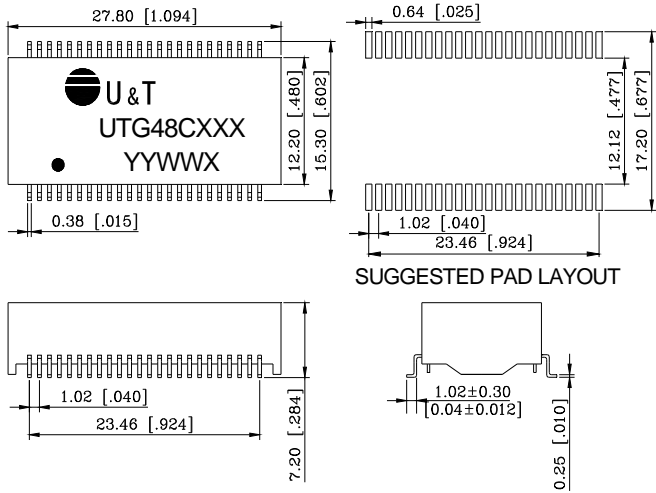
- RoHS compliant
- Compliant with IEEE 802.3ab standard.
- Primary inductance: 350uH Min. @ 100KHz, 0.1Vrms, 8mA

Electrical Specification @ 25°C

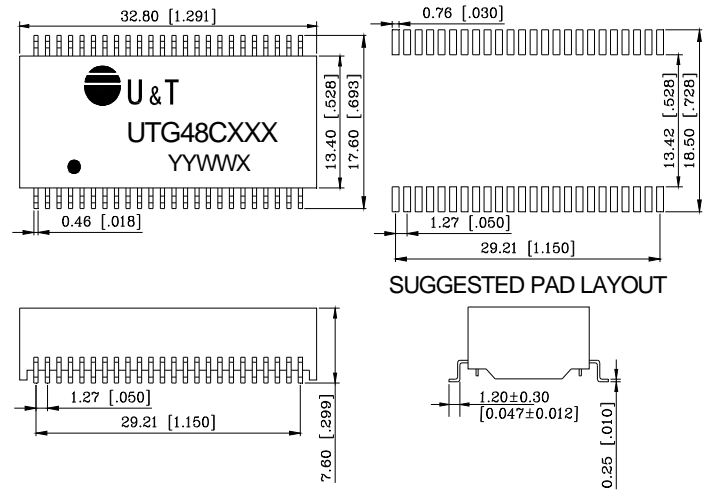
Part No.	Insertion loss	Return loss				CMRR	Cross talk	Operating temperature range	POE	Isolation	Package
	(dB Max)	(dB Typical)				(dB Min)	(dB Min)			Voltage	
	1-100MHz	MHz				MHz	MHz	(Vrms Min)			
		1-30	40	50	80-100	1-100	1-100	°C			
UTG48C01	-1.0	-18	-14.4	-13.1	-10	-30	-30	0-70	af	1500	A
UTG48C01P	-1.0	-18	-14.4	-13.1	-10	-30	-30	0-70	at	1500	A
UTG48C01W	-1.0	-18	-14.4	-13.1	-10	-30	-30	-40+85	af	1500	A
UTG48C01Q	-1.0	-18	-14.4	-13.1	-10	-30	-30	-40+85	at	1500	A
UTG48C01U	-1.0	-18	-14.4	-13.1	-10	-30	-30	0-70	bt	1500	A
UTG48C01H	-1.0	-18	-14.4	-13.1	-10	-30	-30	0-70	af	6000 Vdc	A
UTG48C01G	-1.0	-18	-14.4	-13.1	-10	-30	-30	-40+105	at	1500	A
UTG48C02	-1.0	-18	-14.4	-13.1	-10	-30	-30	0-70	af	1500	A
UTG48C02Q	-1.0	-18	-14.4	-13.1	-10	-30	-30	-40+85	at	1500	A
UTG48C05	-1.0	-18	-14.4	-13.1	-10	-30	-30	0-70	af	1500	A
UTG48C05P	-1.0	-18	-14.4	-13.1	-10	-30	-30	0-70	at	1500	A
UTG48C05W	-1.0	-18	-14.4	-13.1	-10	-30	-30	-40+85	af	1500	A
UTG48C05Q	-1.0	-18	-14.4	-13.1	-10	-30	-30	-40+85	at	1500	A
UTG48C06	-1.0	-18	-14.4	-13.1	-10	-30	-30	0-70	af	1500	A
UTG48C06P	-1.0	-18	-14.4	-13.1	-10	-30	-30	0-70	at	1500	A
UTG48C06W	-1.0	-18	-14.4	-13.1	-10	-30	-30	-40+85	af	1500	A
UTG48C06Q	-1.0	-18	-14.4	-13.1	-10	-30	-30	-40+85	at	1500	A
UTG48C06U	-1.0	-18	-14.4	-13.1	-10	-30	-30	0-70	bt	1500	A
UTG48C06G	-1.0	-18	-14.4	-13.1	-10	-30	-30	-40+105	at	1500	A
UTG48C07	-1.0	-18	-14.4	-13.1	-10	-30	-30	0-70	af	1500	B
UTG48C07P	-1.0	-18	-14.4	-13.1	-10	-30	-30	0-70	at	1500	B
UTG48C07Q	-1.0	-18	-14.4	-13.1	-10	-30	-30	-40+85	at	1500	B
UTG48C10	-1.0	-18	-14.4	-13.1	-10	-30	-30	0-70	af	1500	A
UTG48C10P	-1.0	-18	-14.4	-13.1	-10	-30	-30	0-70	at	1500	A
UTG48C10W	-1.0	-18	-14.4	-13.1	-10	-30	-30	-40+85	af	1500	A
UTG48C10Q	-1.0	-18	-14.4	-13.1	-10	-30	-30	-40+85	at	1500	A
UTG48C10U	-1.0	-18	-14.4	-13.1	-10	-30	-30	0-70	bt	1500	A
UTG48C11Q	-1.0	-18	-14.4	-13.1	-10	-30	-30	-40+85	at	1500	C
UTG48C11U	-1.0	-18	-14.4	-13.1	-10	-30	-30	-40+85	bt	1500	C
UTG48C12	-1.0	-18	-14.4	-13.1	-10	-30	-30	0-70	af	1500	A
UTG48C12P	-1.0	-18	-14.4	-13.1	-10	-30	-30	0-70	at	1500	A

Dimension: mm(inch) \pm 0.25(0.01)

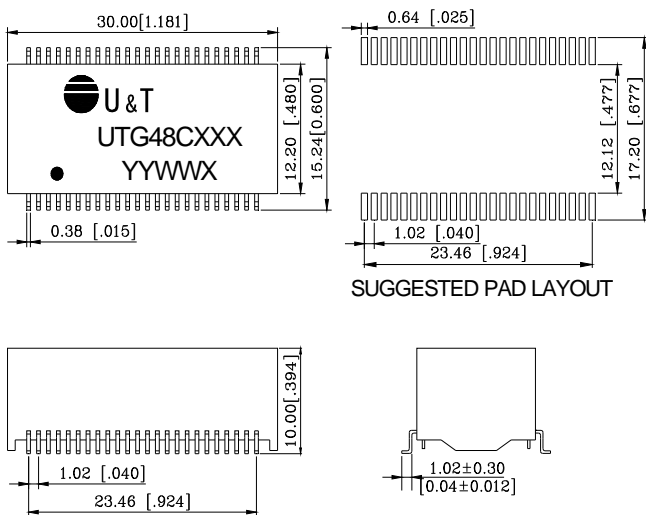
A



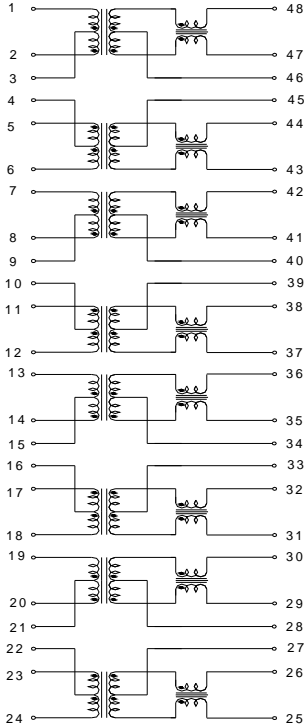
B



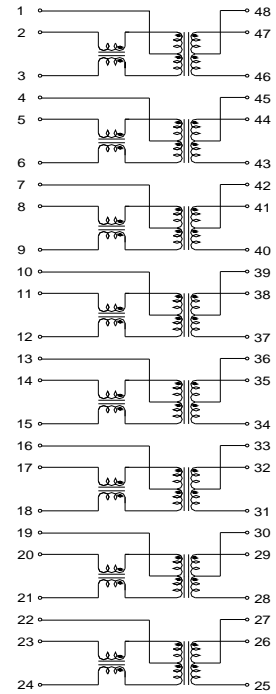
C



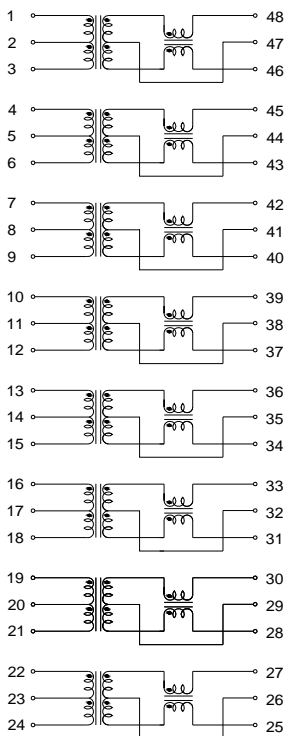
UTG48C07,UTG48C07P,UTG48C07Q



UTG48C10,UTG48C10P,UTG48C10W,UTG48C10Q,UTG48C10U



UTG48C12,UTG48C12P



Features



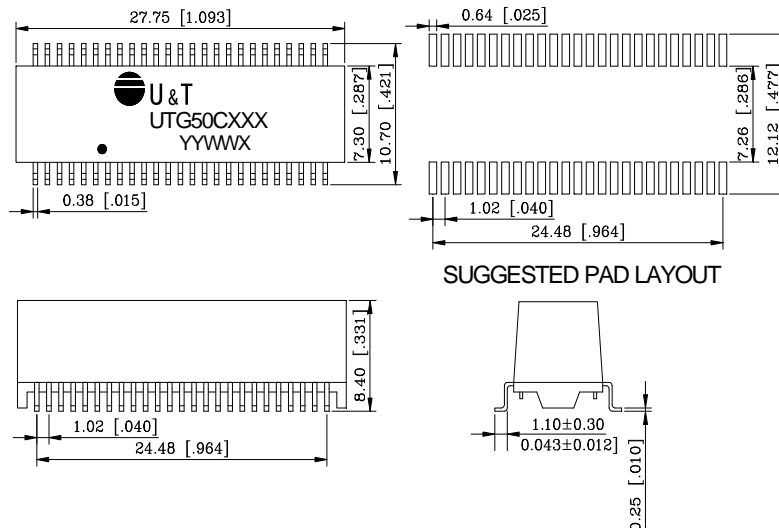
- RoHS compliant
- Compliant with IEEE 802.3ab standard.
- Primary inductance: 350uH Min. @ 100KHz, 0.1 Vrms, 8mA

Electrical Specification @ 25°C

Part No.	Insertion loss	Return loss				CMRR	Cross talk	Operating temperature range	POE	Isolation	Package
	(dB Max)	(dB Typical)				(dB Min)	(dB Min)			Voltage	
	1-100MHz	MHz				MHz	MHz			(Vrms Min)	
		1-30	40	50	80-100	1-60 60-100	1-60 60-100				
UTG50C01	-1.0	-18	-14.4	-13.1	-10	-30	-30	0-70	af	1500	A
UTG50C01P	-1.0	-18	-14.4	-13.1	-10	-30	-30	0-70	at	1500	A
UTG50C01W	-1.0	-18	-14.4	-13.1	-10	-30	-30	-40+85	af	1500	A
UTG50C01Q	-1.0	-18	-14.4	-13.1	-10	-30	-30	-40+85	at	1500	A
UTG50C02	-1.0	-18	-14.4	-13.1	-10	-30	-30	0-70	af	1500	A
UTG50C02P	-1.0	-18	-14.4	-13.1	-10	-30	-30	0-70	at	1500	A
UTG50C03	-1.0	-18	-14.4	-13.1	-10	-30	-30	0-70	af	1500	A
UTG50C03Q	-1.0	-18	-14.4	-13.1	-10	-30	-30	-40+85	at	1500	A
UTG50C06	-1.0	-18	-14.4	-13.1	-10	-30	-30	0-70	af	1500	A
UTG50C06P	-1.0	-18	-14.4	-13.1	-10	-30	-30	0-70	at	1500	A
UTG50C06W	-1.0	-18	-14.4	-13.1	-10	-30	-30	-40+85	af	1500	A
UTG50C08G	-1.0	-18	-14.4	-13.1	-10	-30	-30	-40+105	at	1500	A
UTG50C10S	-1.0	-18	-14.4	-13.1	-10	-30	-30	0-70	af	4000 Vdc	A
UTG50C10H	-1.0	-18	-14.4	-13.1	-10	-30	-30	0-70	af	4000 Vdc	A

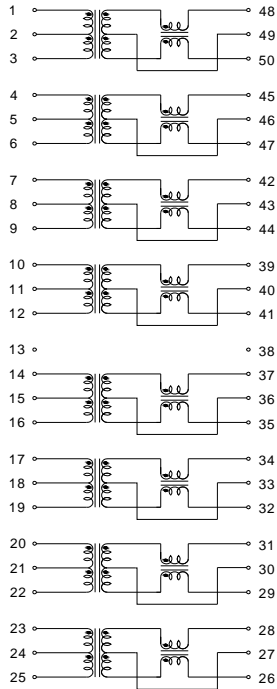
Dimension: mm(inch)+/-0.25(0.01)

A

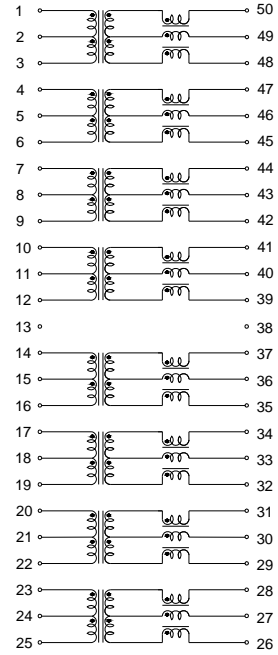


Schematic

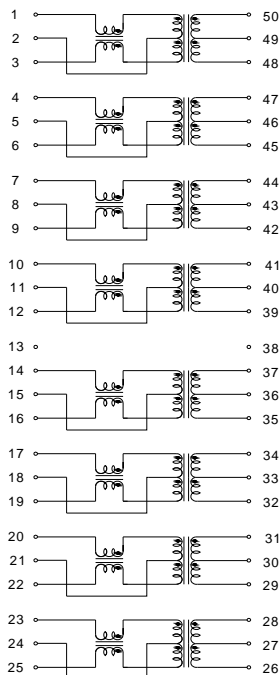
UTG50C01,UTG50C01P,UTG50C01W,UTG50C01Q



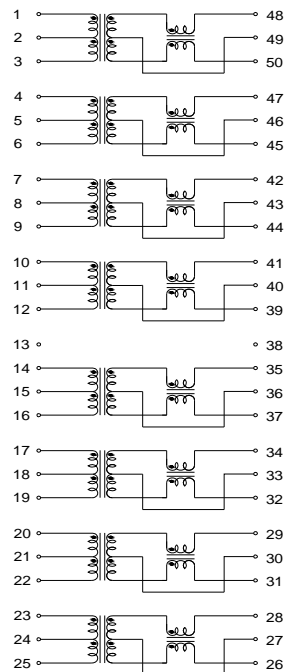
UTG50C02,UTG50C02P



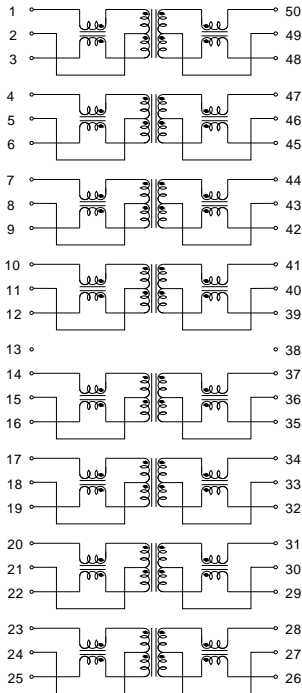
UTG50C03,UTG50C03Q,UTG50C10S,UTG50C10H



UTG50C06,UTG50C06P,UTG50C06W



UTG50C08G





100/1000 Base-T Transformer

Features



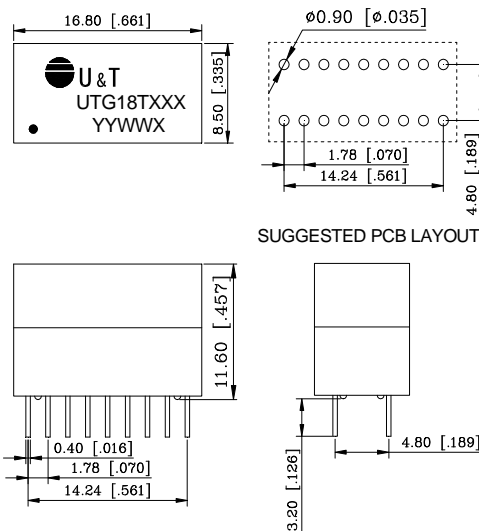
- RoHS compliant
- Compliant with IEEE 802.3ab standard.
- Primary inductance: 350uH Min. @ 100KHz, 0.1Vrms, 8mA

Electrical Specification @ 25°C

Part No.	Insertion loss	Return loss				CMRR	Cross talk	Operating temperature range	POE	Isolation	Package
	(dB Max)	(dB Typical)				(dB Min)	(dB Min)			Voltage	
	1-100MHz	MHz				MHz	MHz			(Vrms Min)	
		1-30	40	50	80-100	1-100	1-100			°C	
UTG18T01	-1.0	-18	-14.4	-13.1	-10	-30	-30	0-70	Non	1500	A
UTG18T01W	-1.0	-18	-14.4	-13.1	-10	-30	-30	-40-+85	Non	1500	A
UTG18T01H	-1.0	-18	-14.4	-13.1	-10	-30	-30	0-70	Non	3750 Vdc	A
UTG18T02	-1.0	-18	-14.4	-13.1	-10	-30	-30	0-70	Non	1500	A
UTG18T03	-1.0	-18	-14.4	-13.1	-10	-30	-30	0-70	Non	1500	A
UTG18T04	-1.0	-18	-14.4	-13.1	-10	-30	-30	0-70	Non	1500	A
UTG18T05	-1.0	-18	-14.4	-13.1	-10	-30	-30	0-70	Non	1500	A

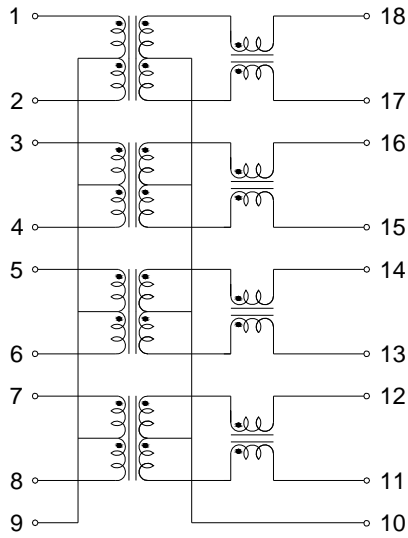
Dimension: mm(inch)+/-0.25(0.01)

A

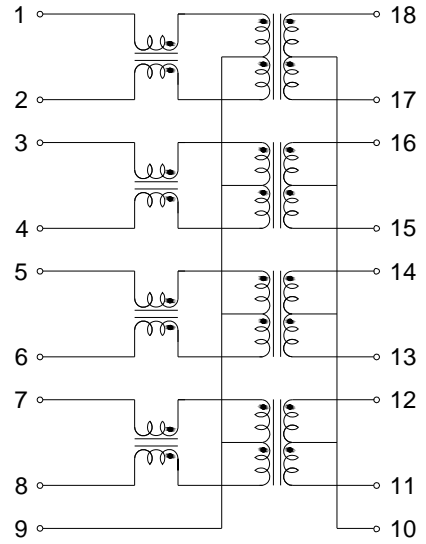


Schematic

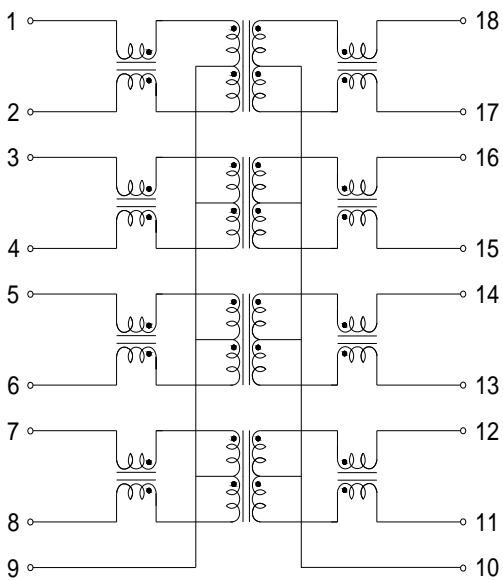
UTG18T01,UTG18T01W,UTG18T01H



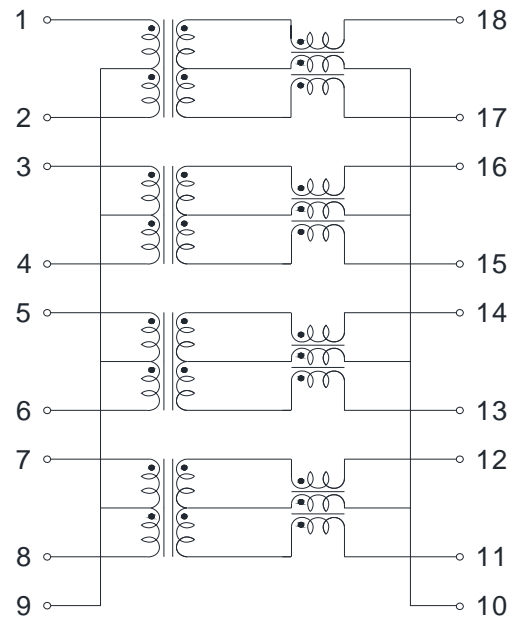
UTG18T02



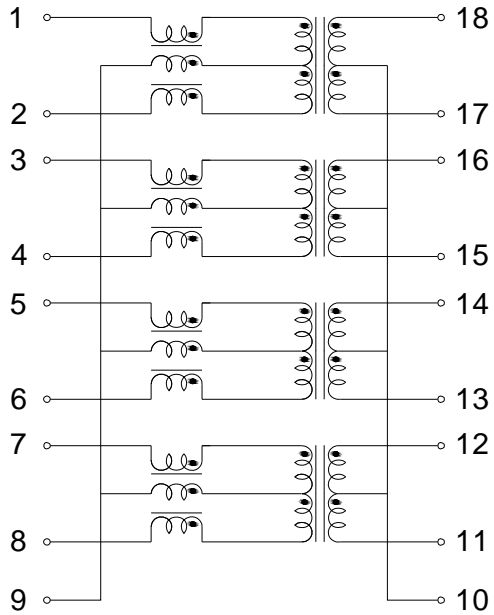
UTG18T03



UTG18T04



UTG18T05





Features

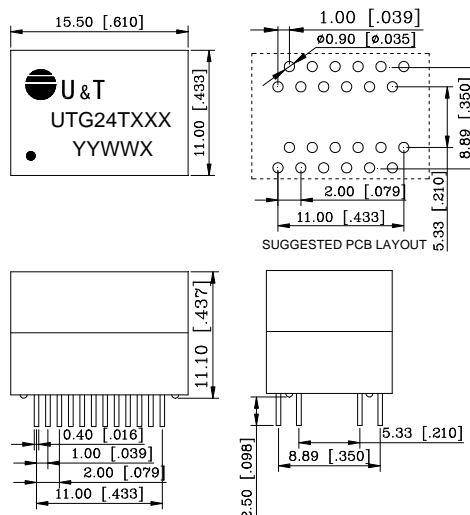
- RoHS compliant
- Compliant with IEEE 802.3ab standard.
- Primary inductance: 350uH Min. @ 100KHz, 0.1Vrms, 8mA

Electrical Specification @ 25°C

Part No.	Insertion loss	Return loss				CMRR	Cross talk	Operating temperature range	POE	Isolation	Package
	(dB Max)	(dB Typical)				(dB Min)	(dB Min)			Voltage	
	1-100MHz	MHz				MHz	MHz			(Vrms Min)	
		1-30	40	50	80-100	1-100	1-100			°C	
UTG24T01	-1.0	-18	-14.4	-13.1	-10	-30	-30	0-70	af	1500	A
UTG24T01P	-1.0	-18	-14.4	-13.1	-10	-30	-30	0-70	at	1500	A
UTG24T01W	-1.0	-18	-14.4	-13.1	-10	-30	-30	-40+85	af	1500	A
UTG24T01Q	-1.0	-18	-14.4	-13.1	-10	-30	-30	-40+85	at	1500	A
UTG24T01H	-1.0	-18	-14.4	-13.1	-10	-30	-30	0-70	af	4000 Vdc	A
UTG24T02	-1.0	-18	-14.4	-13.1	-10	-30	-30	0-70	af	1500	A
UTG24T02P	-1.0	-18	-14.4	-13.1	-10	-30	-30	0-70	at	1500	A
UTG24T02Q	-1.0	-18	-14.4	-13.1	-10	-30	-30	-40+85	at	1500	A
UTG24T02H	-1.0	-18	-14.4	-13.1	-10	-30	-30	0-70	af	4000 Vdc	A
UTG24T03	-1.0	-18	-14.4	-13.1	-10	-30	-30	0-70	af	1500	A
UTG24T03Q	-1.0	-18	-14.4	-13.1	-10	-30	-30	-40+85	at	1500	A
UTG24T05	-1.0	-18	-14.4	-13.1	-10	-30	-30	0-70	af	1500	A

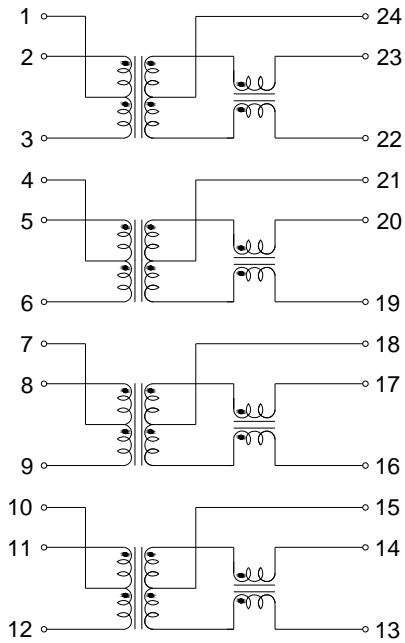
Dimension: mm(inch)+/-0.25(0.01)

A

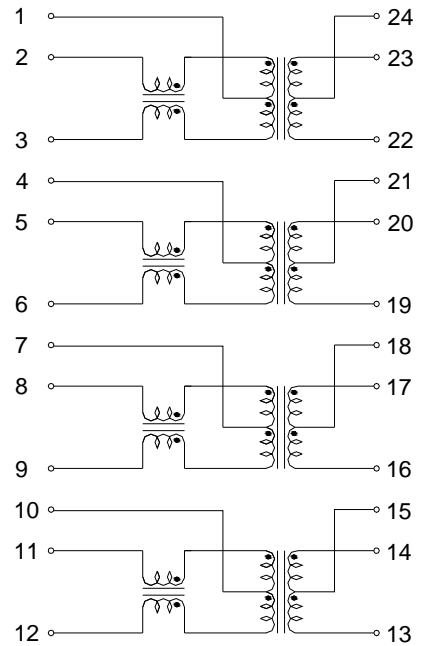


Schematic

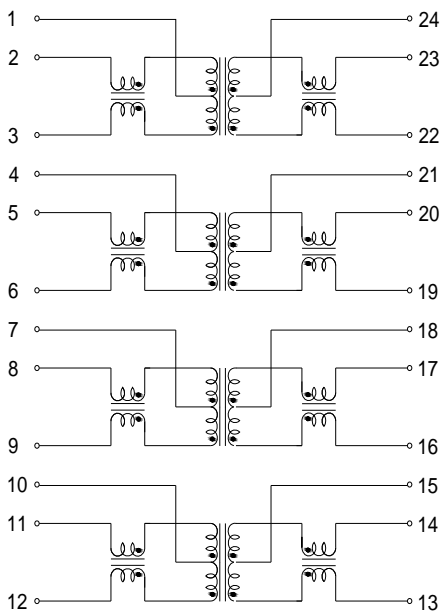
UTG24T01,UTG24T01P,UTG24T01W,UTG24T01Q,
UTG24T01H



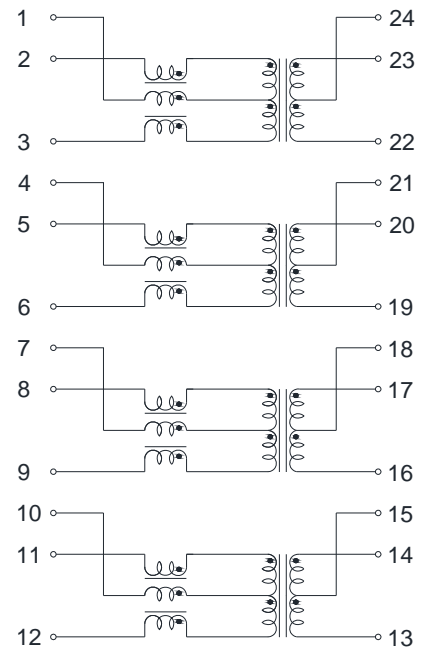
UTG24T02,UTG24T02P,UTG24T02Q,UTG24T02H



UTG24T03,UTG24T03Q



UTG24T05





1000 Base-T SINGLE PORT + 100 Base-T SINGLE PORT



Features

- RoHS compliant
- Compliant with IEEE 802.3ab&u standard.
- Primary inductance: 350uH Min. @ 100KHz, 0.1 Vrms, 8mA

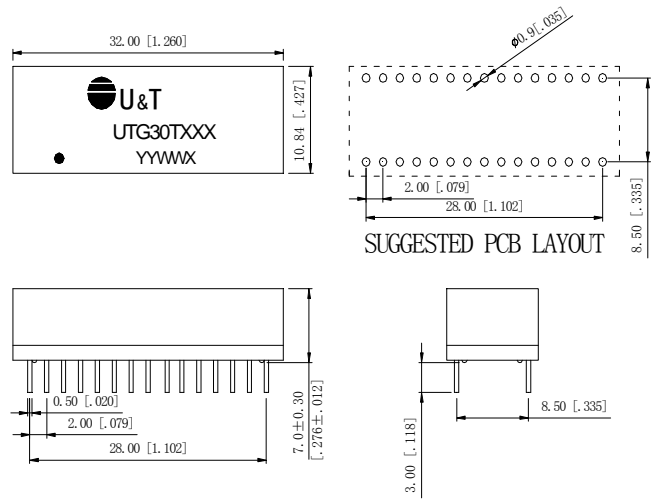
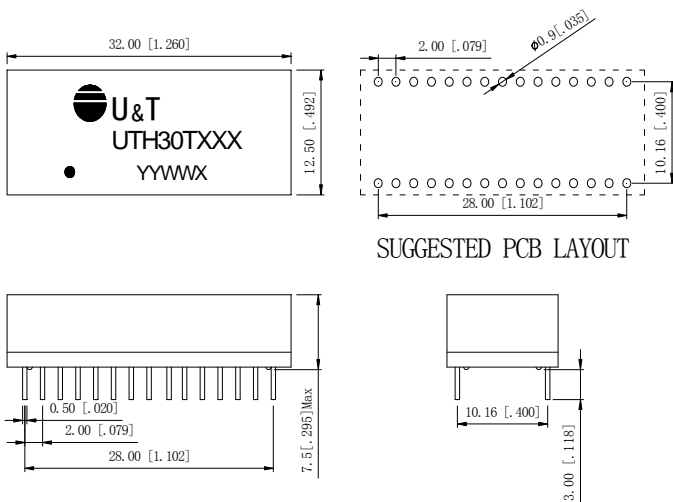
Electrical Specification @ 25°C

Part No.	Insertion loss	Return loss				CMRR	Cross talk	Operating temperature range	POE	Isolation	Package
	(dB Max)	(dB Typical)				(dB Min)	(dB Min)			Voltage	
	1-100MHz	MHz				MHz	MHz			(Vrms Min)	
		1-30	40	50	80-100	1-100	1-100			°C	
UTH30T01	-1.0	-18	-14.4	-13.1	-10	-30	-30	0-70	Non	1500	A
UTG30T02	-1.0	-18	-14.4	-13.1	-10	-30	-30	0-70	Non	1500	B
UTG30T02H	-1.0	-18	-14.4	-13.1	-10	-30	-30	0-70	Non	4000 Vdc	B

Dimension: mm(inch)+/-0.25(0.01)

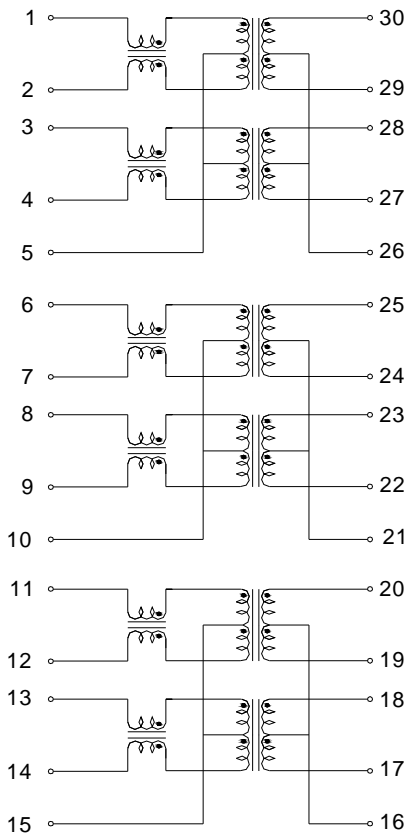
A

B



Schematic

UTH30T01,UTG30T02,UTG30T02H





100/1000 Base-T Transformer



Features

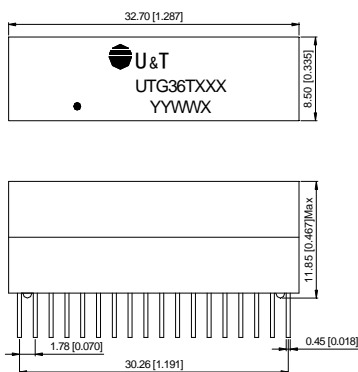
- RoHS compliant
- Compliant with IEEE 802.3u standard.
- Primary inductance: 350uH Min. @ 100KHz, 0.1 Vrms, 8mA

Electrical Specification @ 25°C

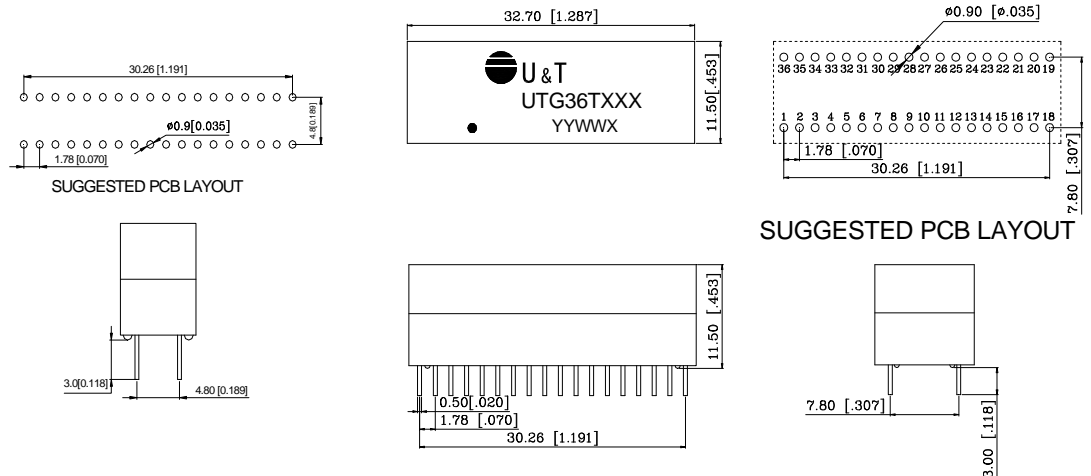
Part No.	Insertion loss	Return loss				CMRR	Cross talk	Operating temperature range	POE	Isolation	Package
	(dB Max)	(dB Typical)				(dB Min)	(dB Min)			Voltage	
	1-100MHz	MHz				MHz	MHz			(Vrms Min)	
		1-30	40	50	80-100	1-100	1-100			°C	
UTG36T01	-1.0	-18	-14.4	-13.1	-10	-30	-30	0-70	Non	1500	A
UTG36T04	-1.0	-18	-14.4	-13.1	-10	-30	-30	0-70	Non	1500	A
UTG36T04T	-1.0	-18	-14.4	-13.1	-10	-30	-30	-40+105	Non	1500	A
UTG36T06	-1.0	-18	-14.4	-13.1	-10	-30	-30	0-70	Non	1500	A
UTG36T06W	-1.0	-18	-14.4	-13.1	-10	-30	-30	-40+85	Non	1500	A
UTG36T06T	-1.0	-18	-14.4	-13.1	-10	-30	-30	-40+105	Non	1500	A
UTG36T06H	-1.0	-18	-14.4	-13.1	-10	-30	-30	0-70	Non	4000 Vdc	A
UTG36T07	-1.0	-18	-14.4	-13.1	-10	-30	-30	0-70	Non	1500	A
UTG36T07W	-1.0	-18	-14.4	-13.1	-10	-30	-30	-40+85	Non	1500	A
UTG36T07T	-1.0	-18	-14.4	-13.1	-10	-30	-30	-40+105	Non	1500	A
UTG36T11	-1.0	-18	-14.4	-13.1	-10	-30	-30	0-70	Non	1500	B

Dimension: mm(inch) +/- 0.25(0.01)

A

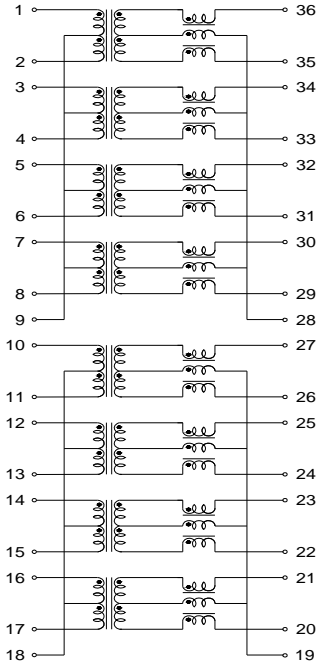


B

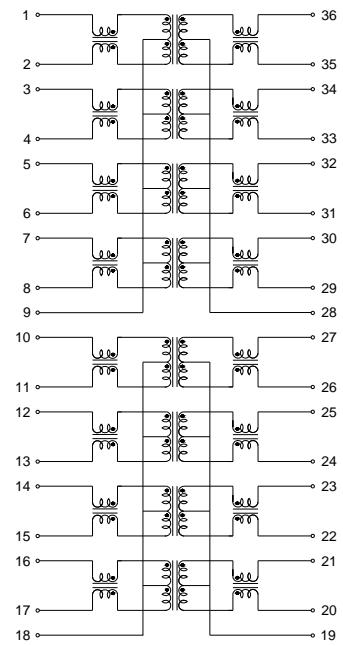


Schematic

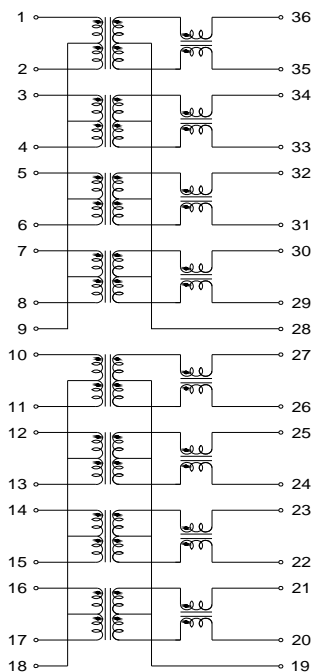
UTG36T01



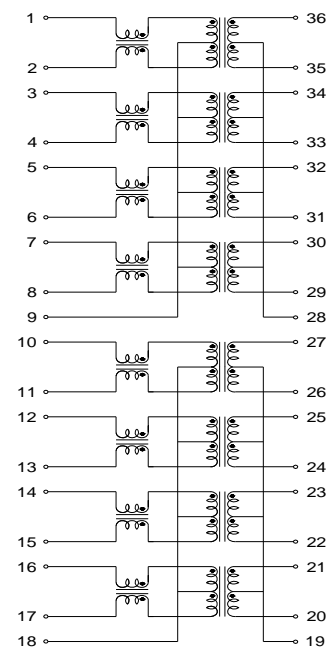
UTG36T04,UTG36T04T,UTG36T11



UTG36T06,UTG36T06W,UTG36T06T,UTG36T06H



UTG36T07,UTG36T07W,UTG36T07T





Features

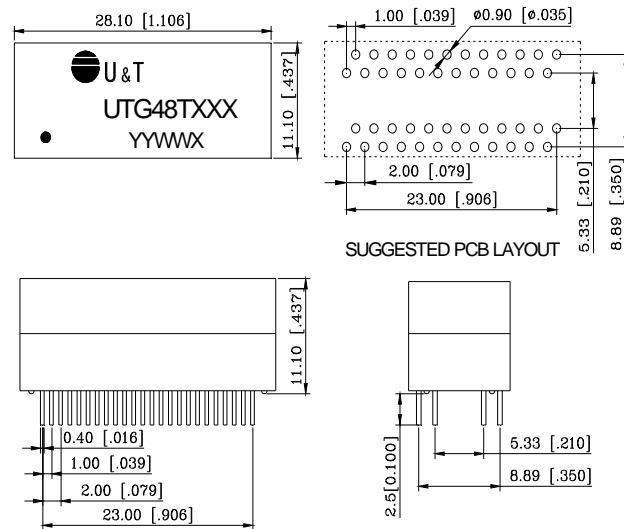
- RoHS compliant
- Compliant with IEEE 802.3ab standard.
- Primary inductance: 350uH Min. @ 100KHz, 0.1Vrms, 8mA

Electrical Specification @ 25°C

Part No.	Insertion loss	Return loss				CMRR	Cross talk	Operating temperature range	POE	Isolation	Package
	(dB Max)	(dB Typical)				(dB Min)	(dB Min)			Voltage	
	1-100MHz	MHz				MHz	MHz			(Vrms Min)	
		1-30	40	50	80-100	1-100	1-100			°C	
UTG48T01	-1.0	-18	-14.4	-13.1	-10	-30	-30	0-70	af	1500	A
UTG48C01P	-1.0	-18	-14.4	-13.1	-10	-30	-30	0-70	at	1500	A
UTG48T01W	-1.0	-18	-14.4	-13.1	-10	-30	-30	-40+85	af	1500	A
UTG48T01Q	-1.0	-18	-14.4	-13.1	-10	-30	-30	-40+85	at	1500	A
UTG48T01H	-1.0	-18	-14.4	-13.1	-10	-30	-30	0-70	af	4000 Vdc	A
UTG48T01U	-1.0	-18	-14.4	-13.1	-10	-30	-30	0-70	bt	1500	A
UTG48T03	-1.0	-18	-14.4	-13.1	-10	-30	-30	0-70	af	1500	A
UTG48T03P	-1.0	-18	-14.4	-13.1	-10	-30	-30	0-70	at	1500	A
UTG48T03W	-1.0	-18	-14.4	-13.1	-10	-30	-30	-40+85	af	1500	A
UTG48T03Q	-1.0	-18	-14.4	-13.1	-10	-30	-30	-40+85	at	1500	A
UTG48T04	-1.0	-18	-14.4	-13.1	-10	-30	-30	0-70	af	1500	A
UTG48T04P	-1.0	-18	-14.4	-13.1	-10	-30	-30	0-70	at	1500	A
UTG48T04W	-1.0	-18	-14.4	-13.1	-10	-30	-30	-40+85	af	1500	A
UTG48T04Q	-1.0	-18	-14.4	-13.1	-10	-30	-30	-40+85	at	1500	A
UTG48T05	-1.0	-18	-14.4	-13.1	-10	-30	-30	0-70	af	1500	A
UTG48T10	-1.0	-18	-14.4	-13.1	-10	-30	-30	0-70	af	1500	A
UTG48T10P	-1.0	-18	-14.4	-13.1	-10	-30	-30	0-70	at	1500	A

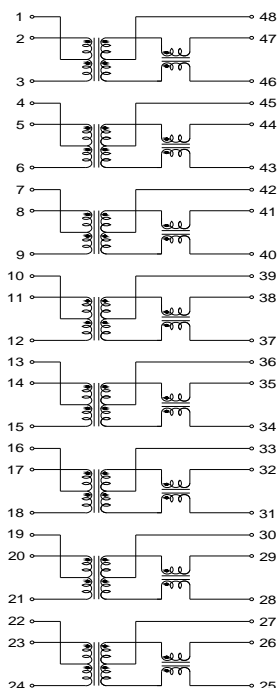
Dimension: mm(inch) \pm 0.25(0.01)

A

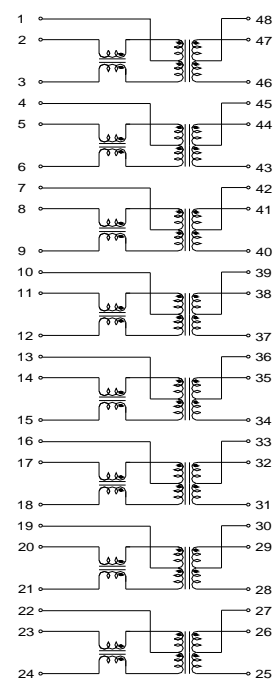


Schematic

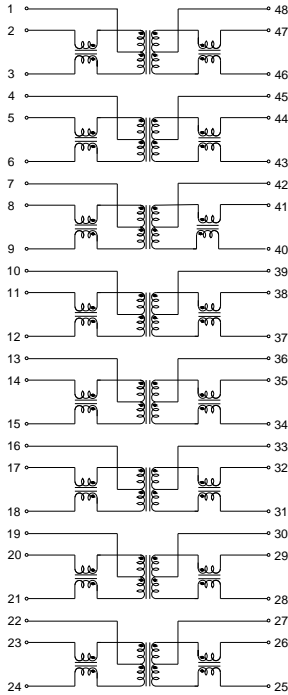
UTG48T01,UTG48T01P,UTG48T01W,UTG48T01Q,
UTG48T01H,UTG48T01U



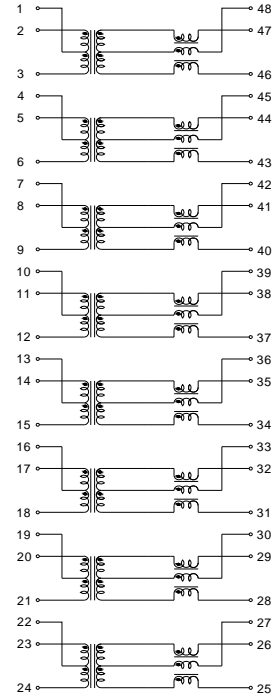
UTG48T03,UTG48T03P,UTG48T03W,UTG48T03Q



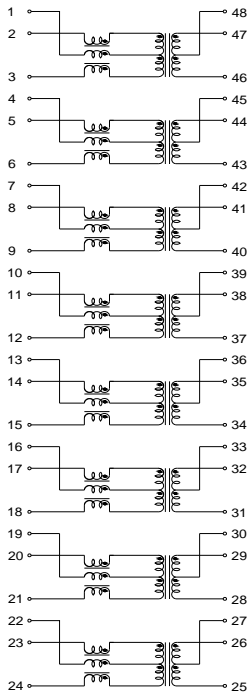
UTG48T04,UTG48T04P,UTG48T04W,UTG48T04Q



UTG48T05



UTG48T10





100/1000 Base-T Transformer

Features



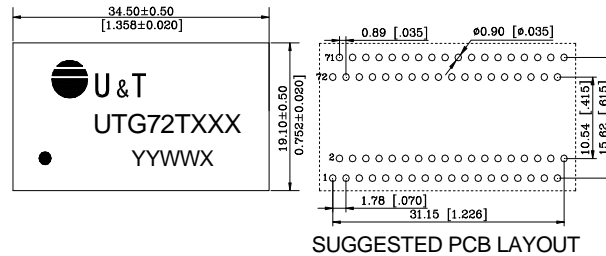
- RoHS compliant
- Compliant with IEEE 802.3ab standard.
- Primary inductance: 350uH Min. @ 100KHz, 0.1Vrms, 8mA

Electrical Specification @ 25°C

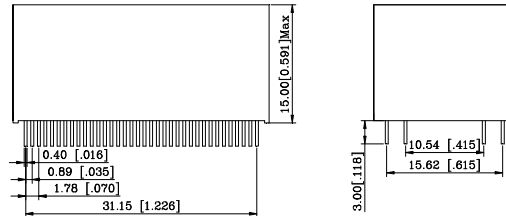
Part No.	Insertion loss	Return loss				CMRR	Cross talk	Operating temperature range	POE	Isolation	Package
	(dB Max)	(dB Typical)				(dB Min)	(dB Min)			Voltage	
	1-100MHz	MHz				MHz	MHz	°C	(Vrms Min)		
		1-30	40	50	80-100	1-100	1-100				
UTG72T01	-1.0	-18	-14.4	-13.1	-10	-30	-30	0-70	Non	1500	A
UTG72T02	-1.0	-18	-14.4	-13.1	-10	-30	-30	0-70	Non	1500	A
UTG72T04	-1.0	-18	-14.4	-13.1	-10	-30	-30	0-70	Non	1500	A
UTG72T13B	-1.0	-18	-14.4	-13.1	-10	-30	-30	0-70	Non	1500	A
UTG72T16	-1.0	-18	-14.4	-13.1	-10	-30	-30	0-70	Non	1500	A
UTG72T16H	-1.0	-18	-14.4	-13.1	-10	-30	-30	0-70	Non	3000 Vdc	A
UTG72T22	-1.0	-18	-14.4	-13.1	-10	-30	-30	0-70	Non	1500	A

Dimension: mm(inch)+/-0.25(0.01)

A

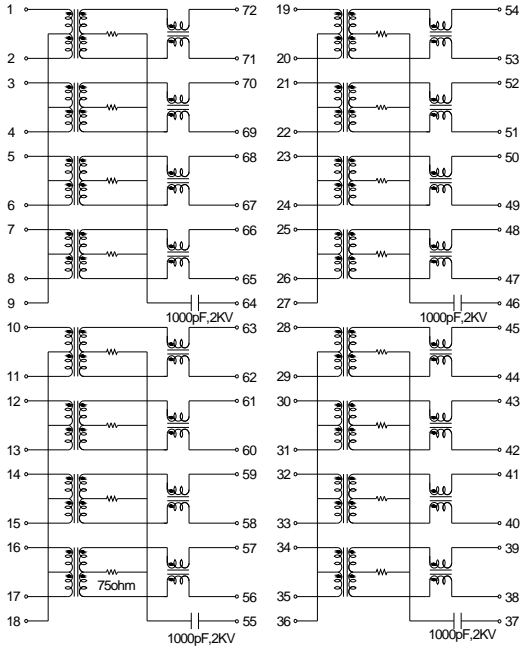


SUGGESTED PCB LAYOUT

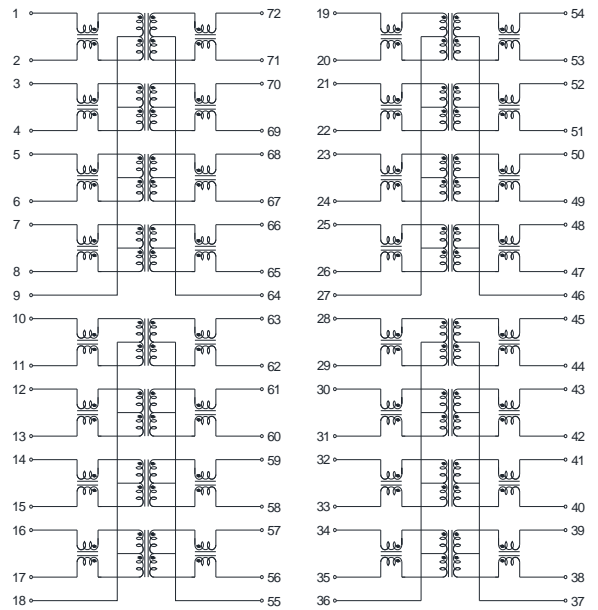


Schematic

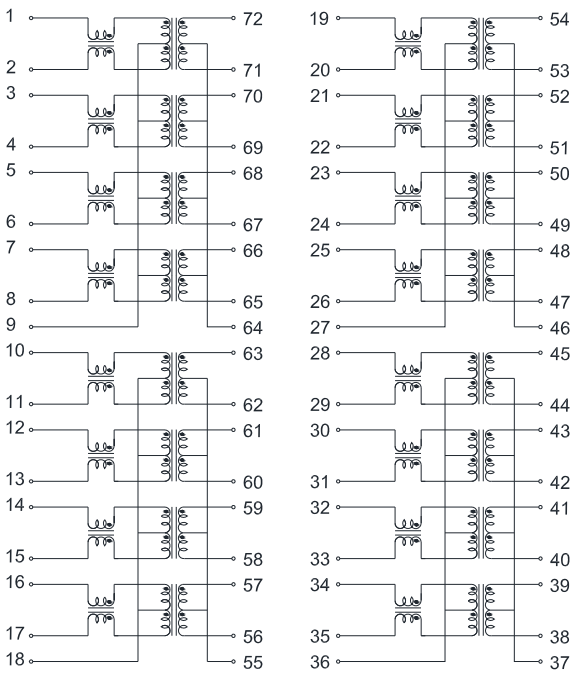
UTG72T01



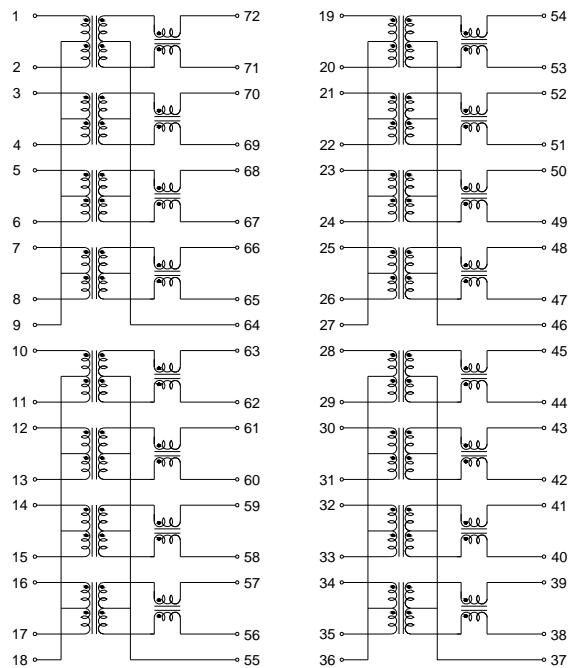
UTG72T02



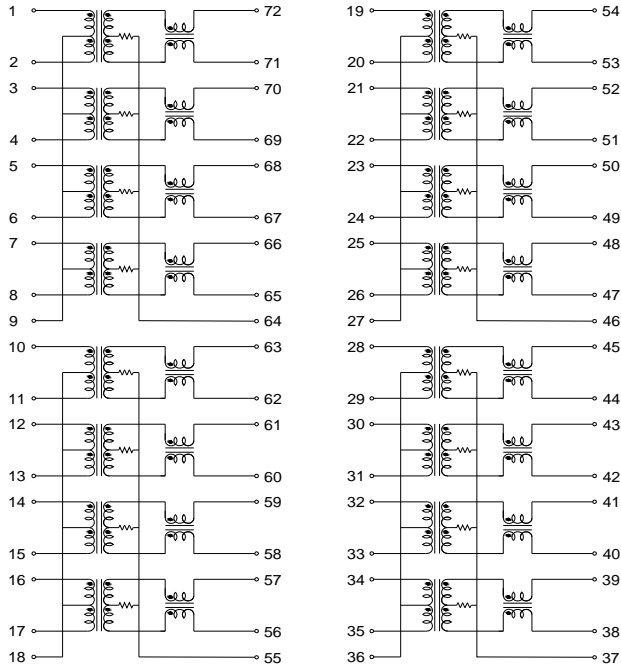
UTG72T04



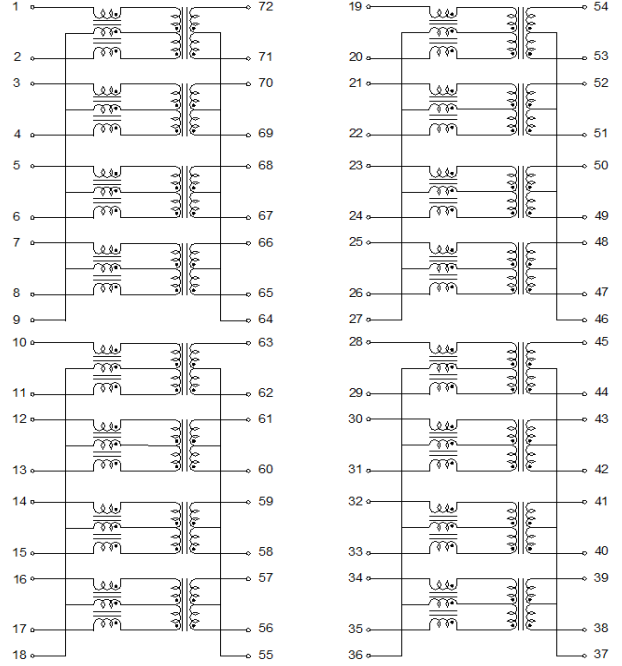
UTG72T13B



UTG72T16,UTG72T16H



UTG72T22



Features



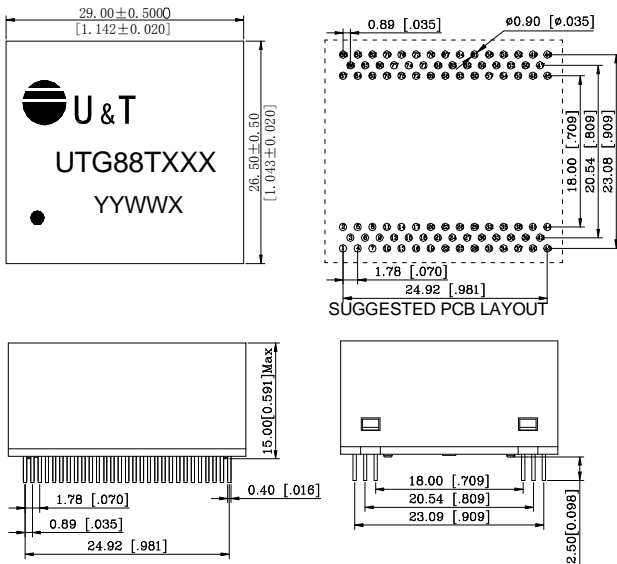
- RoHS compliant
- Compliant with IEEE 802.3ab standard.
- Primary inductance: 350uH Min. @ 100KHz, 0.1Vrms, 8mA

Electrical Specification @ 25°C

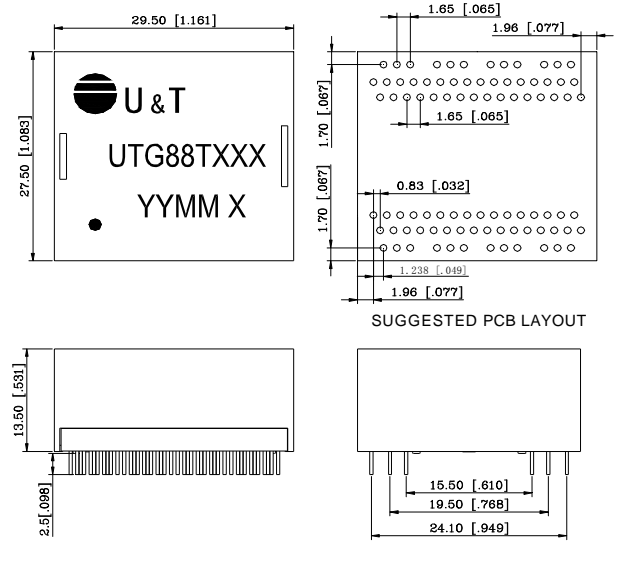
Part No.	Insertion loss	Return loss				CMRR	Cross talk	Operating temperature range	POE	Isolation	Package
	(dB Max)	(dB Typical)				(dB Min)	(dB Min)			Voltage	
	1-100MHz	MHz				MHz	MHz	°C	(Vrms Min)		
		1-30	40	50	80-100	1-100	1-100				
UTG88T01D	-1.0	-18	-14.4	-13.1	-10	-30	-30	0-70	af	1500	A
UTG88T01P	-1.0	-18	-14.4	-13.1	-10	-30	-30	0-70	at	1500	A
UTG88T21	-1.0	-18	-14.4	-13.1	-10	-30	-30	0-70	af	1500	B
UTG88T21P	-1.0	-18	-14.4	-13.1	-10	-30	-30	0-70	at	1500	B
UTG88T22	-1.0	-18	-14.4	-13.1	-10	-30	-30	0-70	af	1500	B
UTG88T22P	-1.0	-18	-14.4	-13.1	-10	-30	-30	0-70	at	1500	B
UTG88T22W	-1.0	-18	-14.4	-13.1	-10	-30	-30	-40+85	af	1500	B
UTG88T22Q	-1.0	-18	-14.4	-13.1	-10	-30	-30	-40+85	at	1500	B
UTG88T24	-1.0	-18	-14.4	-13.1	-10	-30	-30	0-70	af	1500	B
UTG88T24P	-1.0	-18	-14.4	-13.1	-10	-30	-30	0-70	at	1500	B
UTG88T24W	-1.0	-18	-14.4	-13.1	-10	-30	-30	-40+85	af	1500	B
UTG88T24Q	-1.0	-18	-14.4	-13.1	-10	-30	-30	-40+85	at	1500	B
UTG88T25	-1.0	-18	-14.4	-13.1	-10	-30	-30	0-70	af	1500	B
UTG88T25P	-1.0	-18	-14.4	-13.1	-10	-30	-30	0-70	at	1500	B
UTG88T26	-1.0	-18	-14.4	-13.1	-10	-30	-30	0-70	af	1500	B
UTG88T26P	-1.0	-18	-14.4	-13.1	-10	-30	-30	0-70	at	1500	B
UTG88T26W	-1.0	-18	-14.4	-13.1	-10	-30	-30	-40+85	af	1500	B
UTG88T26Q	-1.0	-18	-14.4	-13.1	-10	-30	-30	-40+85	at	1500	B
UTG88T26G	-1.0	-18	-14.4	-13.1	-12	-30	-30	-40+105	at	1500	B

Dimension: mm(inch) \pm 0.25(0.01)

A

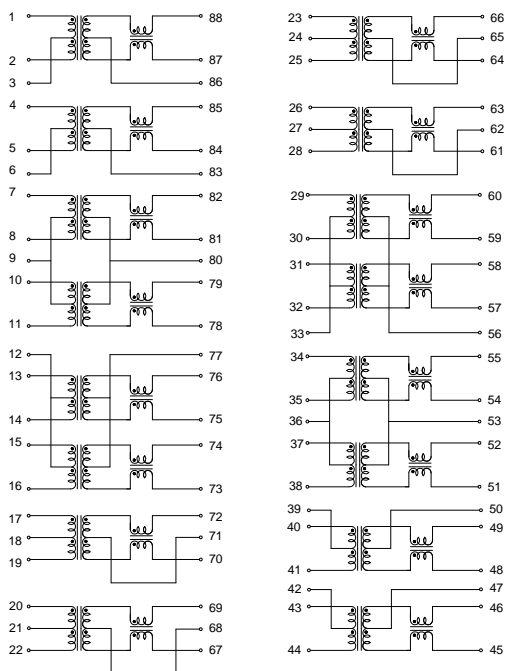


B

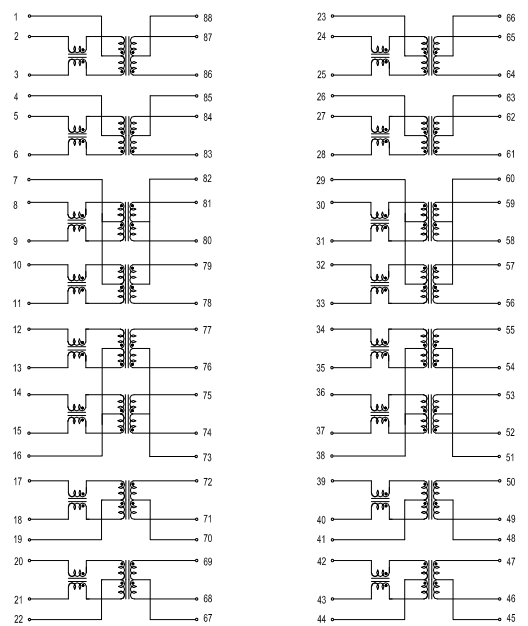


Schematic

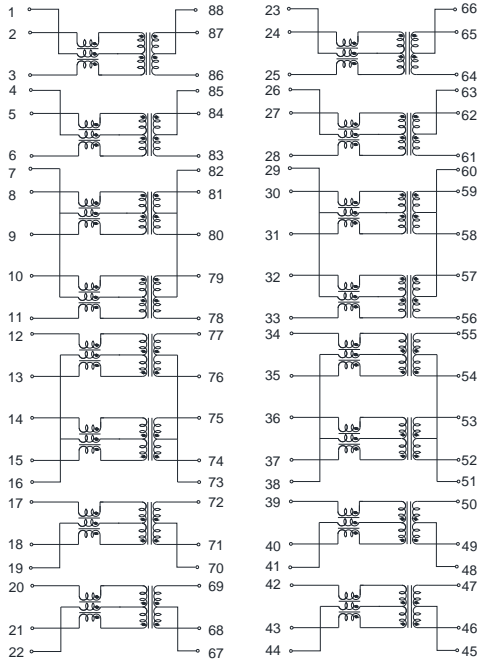
UTG88T01D,UTG88T01P



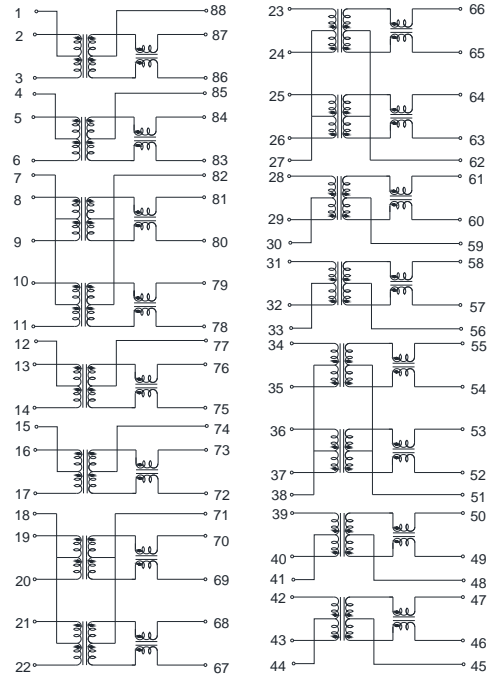
UTG88T21,UTG88T21P



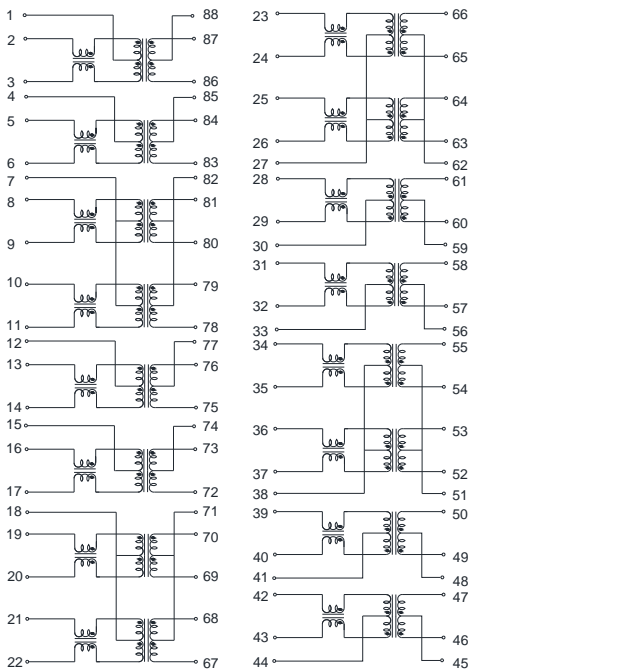
UTG88T22,UTG88T22P,UTG88T22W,UTG88T22Q



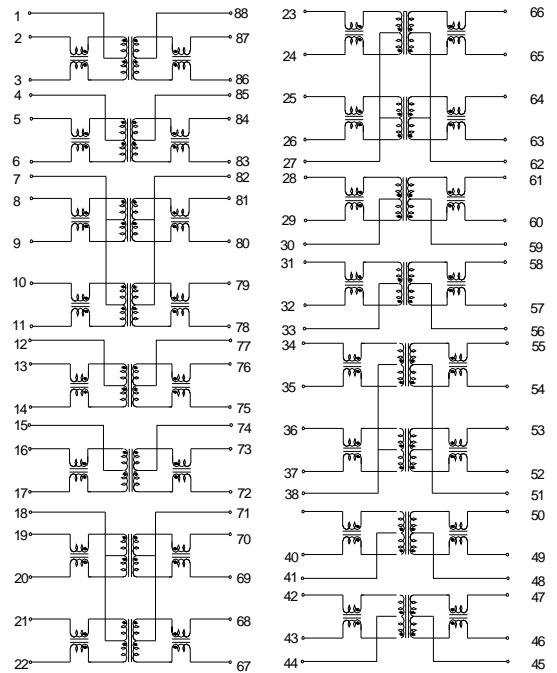
UTG88T24,UTG88T24P,UTG88T24W,UTG88T24Q



UTG88T25,UTG88T25P



UTG88T26,UTG88T26P,UTG88T26W,UTG88T26Q,UTG88T26G





100/1000 Base-T Transformer

Features



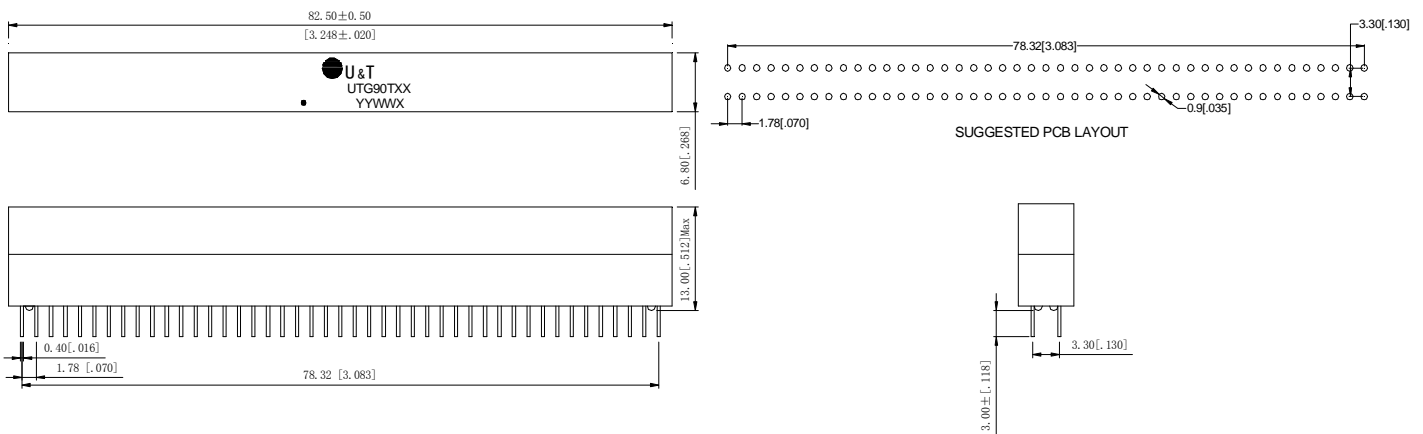
- RoHS compliant
- Compliant with IEEE 802.3ab standard.
- Primary inductance: 350uH Min. @ 100KHz, 0.1 Vrms, 8mA

Electrical Specification @ 25°C

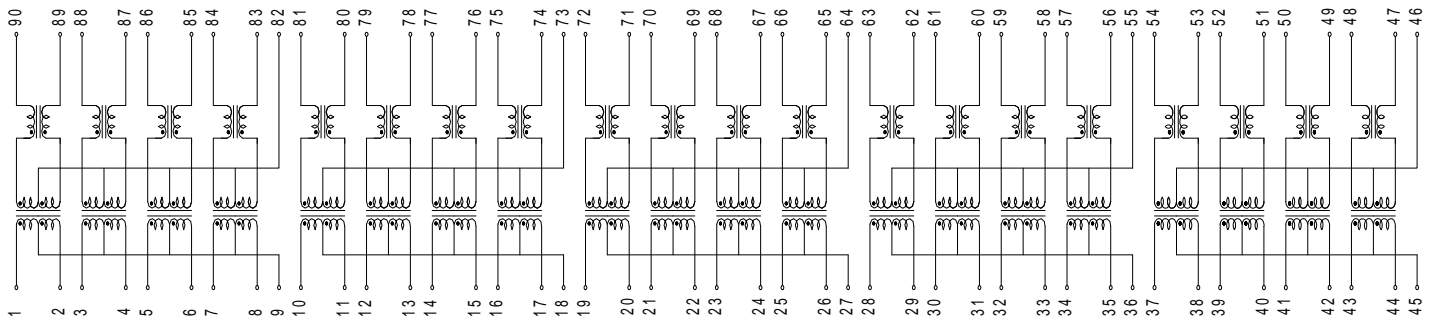
Part No.	Insertion loss	Return loss				CMRR	Cross talk	Operating temperature range	POE	Isolation	Package
	(dB Max)	(dB Typical)				(dB Min)	(dB Min)			Voltage	
	1-100MHz	MHz				MHz	MHz	°C	(Vrms Min)		
		1-30	40	50	80-100	1-100	1-100				
UTG90T01	-1.0	-18	-14.4	-13.1	-12	-30	-30	0-70	Non	1500	A

Dimension: mm(inch)+/-0.25(0.01)

A



Schematic





100/1000 Base-T Transformer

Features

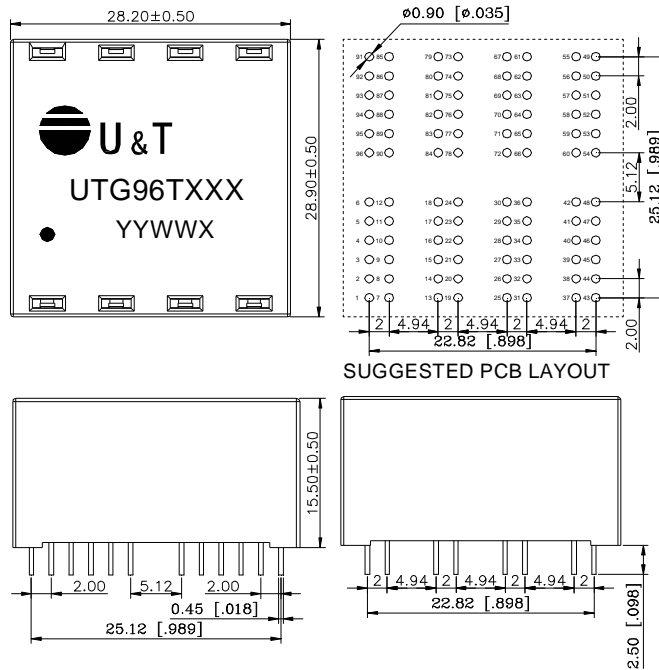
- RoHS compliant
- Compliant with IEEE 802.3ab standard.
- Primary inductance:350uH Min.@ 100KHz,0.1Vrms,8mA

Electrical Specification @25°C

Part No.	Insertion loss	Return loss				CMRR	Cross talk	Operating temperature range	POE	Isolation	Package
	(dB Max)	(dB Typical)				(dB Min)	(dB Min)			Voltage	
	1-100MHz	MHz				MHz	MHz	°C	(Vrms Min)		
		1-30	40	50	80-100	1-100	1-100				
UTG96T01	-1.0	-18	-14.4	-13.1	-10	-30	-30	0-70	af	1500	A
UTG96T01P	-1.0	-18	-14.4	-13.1	-10	-30	-30	0-70	at	1500	A
UTG96T01W	-1.0	-18	-14.4	-13.1	-10	-30	-30	-40+85	af	1500	A
UTG96T01Q	-1.0	-18	-14.4	-13.1	-10	-30	-30	-40+85	at	1500	A
UTG96T01U	-1.0	-18	-14.4	-13.1	-10	-30	-30	0-70	bt	1500	A
UTG96T02	-1.0	-18	-14.4	-13.1	-10	-30	-30	0-70	af	1500	A
UTG96T02P	-1.0	-18	-14.4	-13.1	-10	-30	-30	0-70	at	1500	A
UTG96T03	-1.0	-18	-14.4	-13.1	-10	-30	-30	0-70	af	1500	A
UTG96T03P	-1.0	-18	-14.4	-13.1	-10	-30	-30	0-70	at	1500	A
UTG96T03W	-1.0	-18	-14.4	-13.1	-10	-30	-30	-40+85	af	1500	A
UTG96T03Q	-1.0	-18	-14.4	-13.1	-10	-30	-30	-40+85	at	1500	A
UTG96T03U	-1.0	-18	-14.4	-13.1	-10	-30	-30	-40+85	bt	1500	A
UTG96T04	-1.0	-18	-14.4	-13.1	-10	-30	-30	0-70	af	1500	A
UTG96T04P	-1.0	-18	-14.4	-13.1	-10	-30	-30	0-70	at	1500	A
UTG96T18Q	-1.0	-18	-14.4	-13.1	-10	-30	-30	-40+85	at	1500	A
UTG96T18U	-1.0	-18	-14.4	-13.1	-10	-30	-30	-40+85	bt	1500	A

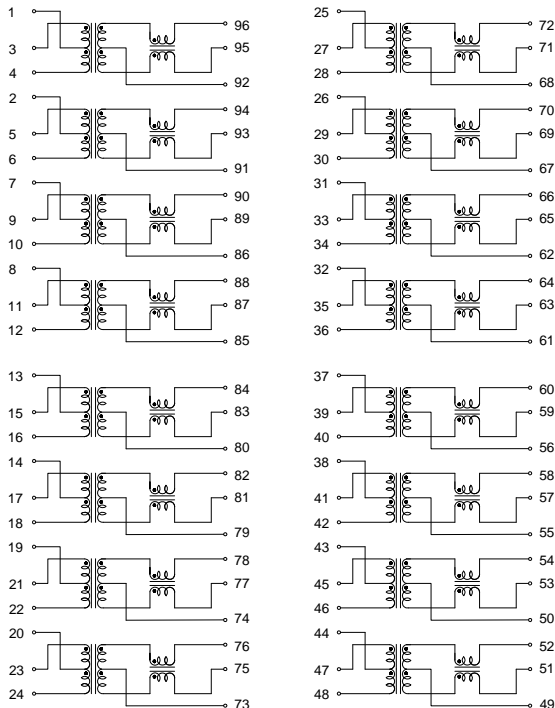
Dimension: mm(inch)+/-0.25(0.01)

A

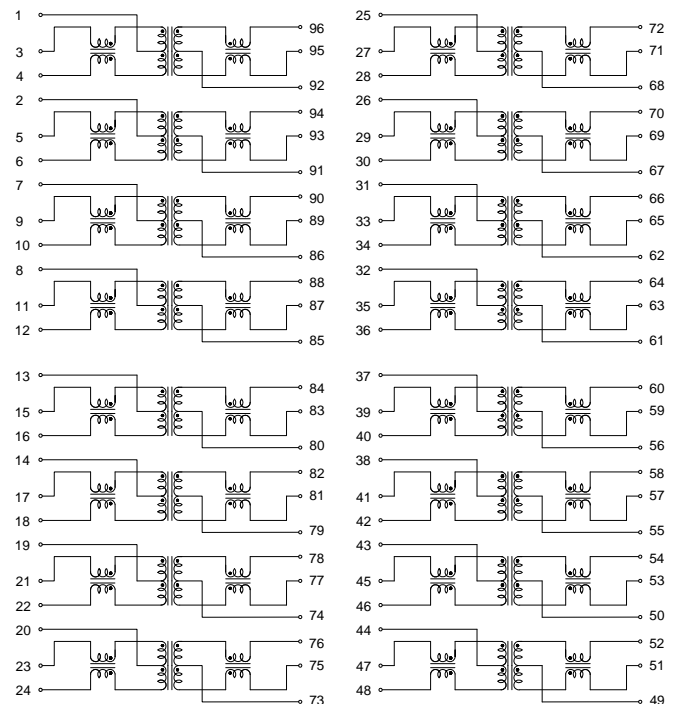


Schematic

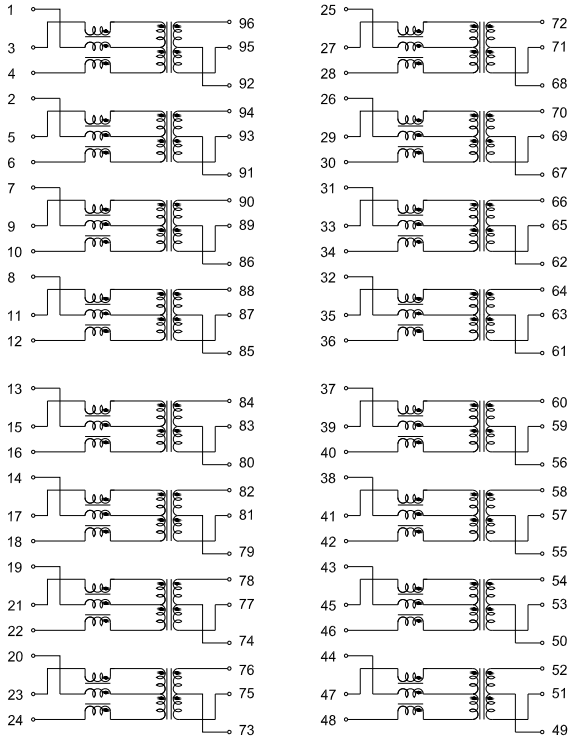
**UTG96T01,UTG96T01P,UTG96T01W,UTG96T01Q,
UTG96T01U**



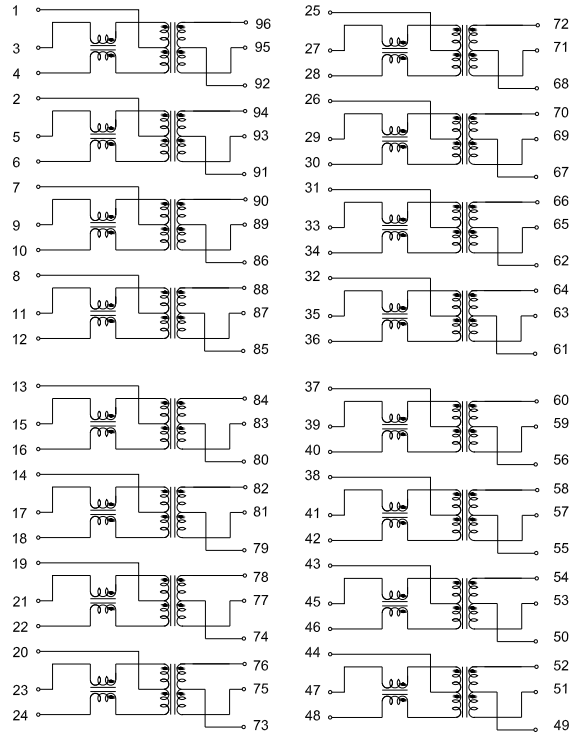
UTG96T02,UTG96T02P



**UTG96T03,UTG96T03P,UTG96T03W,UTG96T03Q,
UTG96T03U,UTG96T18Q,UTG96T18U**



UTG96T04,UTG96T04P



Features



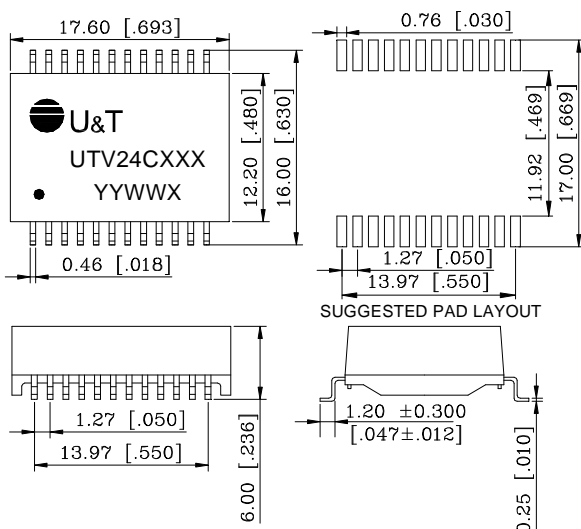
- RoHS compliant
- Compliant with IEEE 802.3bz standard.
- Primary inductance: 180uH Min. @ 100KHz, 0.1 Vrms

Electrical Specification @ 25°C

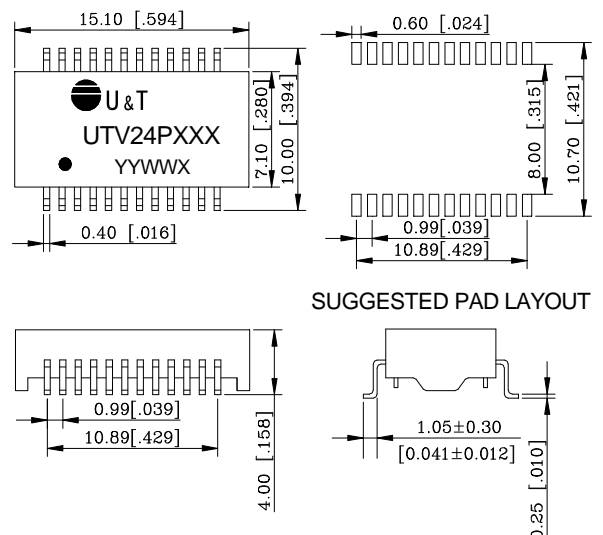
Part No.	Insertion loss		Return loss		CMRR	Cross talk	Operating temperature range	POE	Isolation	Package
	(dB Max)		(dB Typical)		(dB Min)	(dB Min)			Voltage	
	MHz		MHz		MHz	MHz	(Vrms Min)			
	1-100	100-125	1-40	40-250	1-125	1-125				
UTV24C01	-1.0	-1.5	-16dB	-16+10log(f/40)	-30	-30	0-70	af	1500	A
UTV24C01P	-1.0	-1.5	-16dB	-16+10log(f/40)	-30	-30	0-70	at	1500	A
UTV24C01U	-1.0	-1.5	-16dB	-16+10log(f/40)	-30	-30	0-70	bt	1500	A
UTV24C02	-1.0	-1.5	-16dB	-16+10log(f/40)	-30	-30	0-70	af	1500	A
UTV24C02P	-1.0	-1.5	-16dB	-16+10log(f/40)	-30	-30	0-70	at	1500	A
UTV24C02Q	-1.0	-1.5	-16dB	-16+10log(f/40)	-30	-30	-40+85	at	1500	A
UTV24C04	-1.0	-1.5	-16dB	-16+10log(f/40)	-30	-30	0-70	af	1500	A
UTV24C04P	-1.0	-1.5	-16dB	-16+10log(f/40)	-30	-30	0-70	at	1500	A
UTV24C04U	-1.0	-1.5	-16dB	-16+10log(f/40)	-30	-30	0-70	bt	1500	A
UTV24P05	-1.0	-1.5	-16dB	-16+10log(f/40)	-30	-30	0-70	af	1500	B
UTV24P06	-1.0	-1.5	-16dB	-16+10log(f/40)	-30	-30	0-70	af	1500	B
UTV48C01	-1.0	-1.5	-16dB	-16+10log(f/40)	-30	-30	0-70	af	1500	C
UTV48C01P	-1.0	-1.5	-16dB	-16+10log(f/40)	-30	-30	0-70	at	1500	C
UTV48C01U	-1.0	-1.5	-16dB	-16+10log(f/40)	-30	-30	0-70	bt	1500	C

Dimension: mm(inch)+/-0.25(0.01)

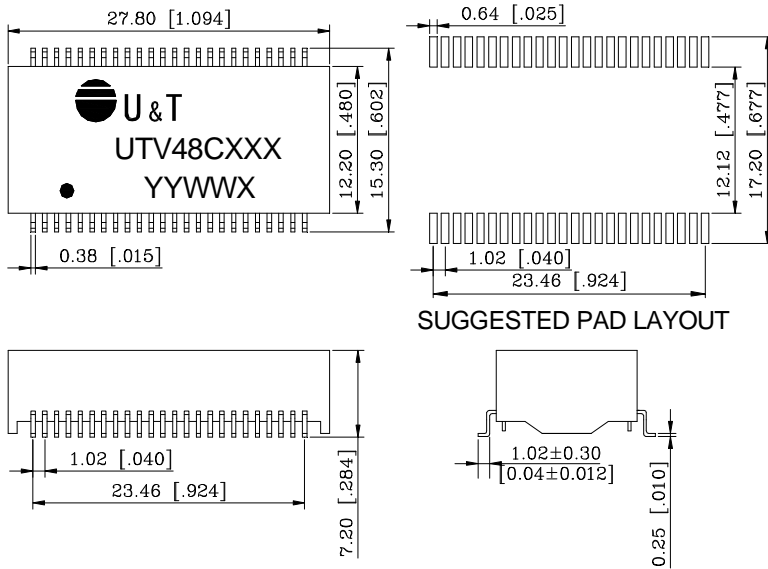
A



B



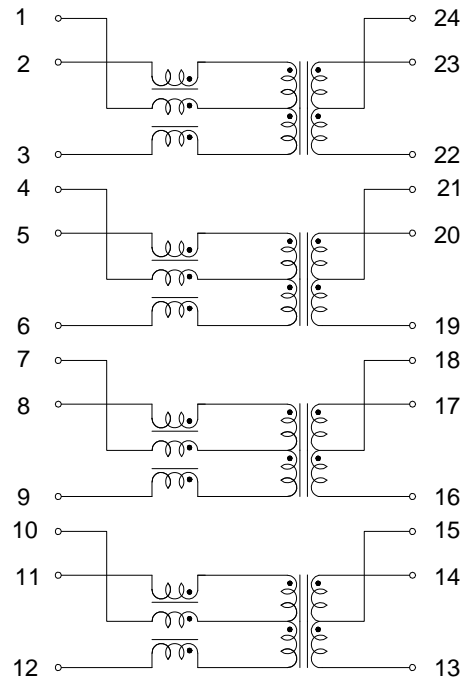
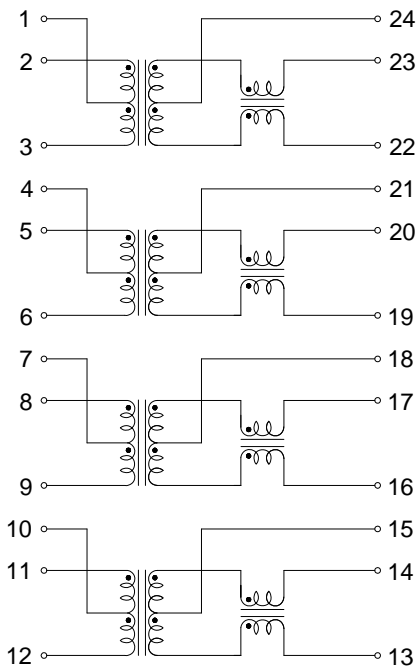
C



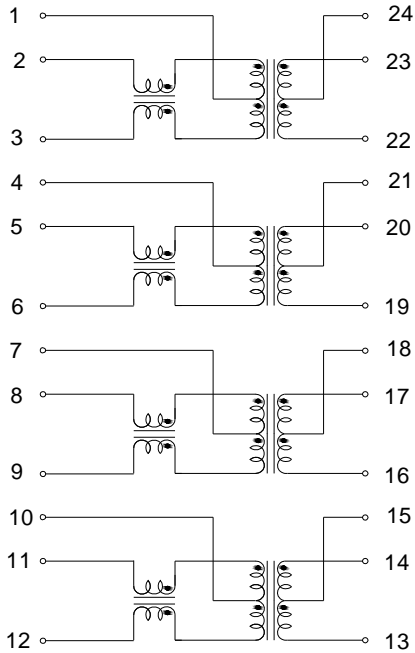
Schematic

UTV24C01,UTV24C01P,UTV24C01U,UTV24P05

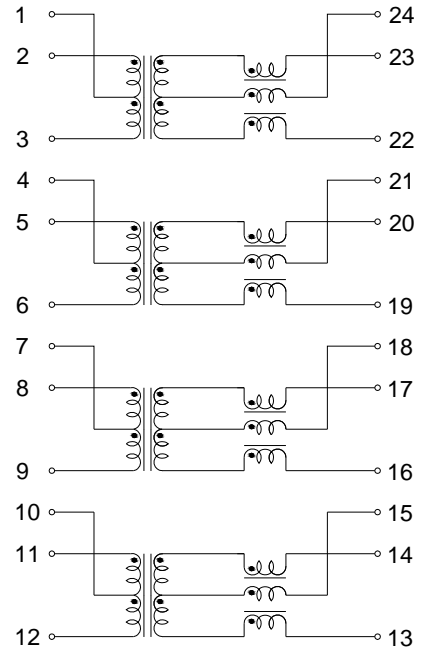
UTV24C02,UTV24C02P,UTV24C02Q



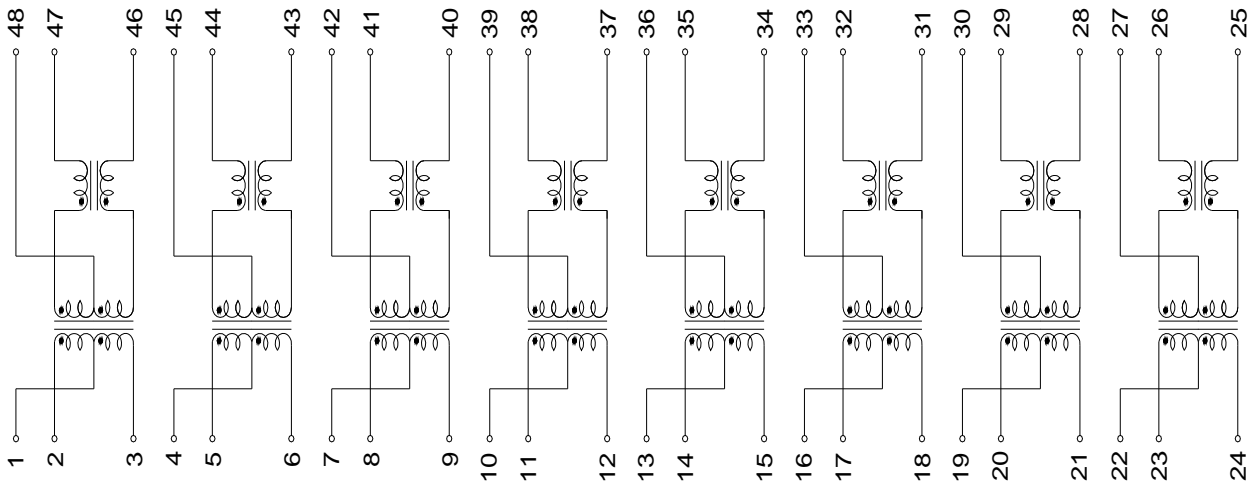
UTV24C04,UTV24C04P,UTV24C04U



UTV24P06



UTV48C01,UTV48C01P,UTV48C01U



Features



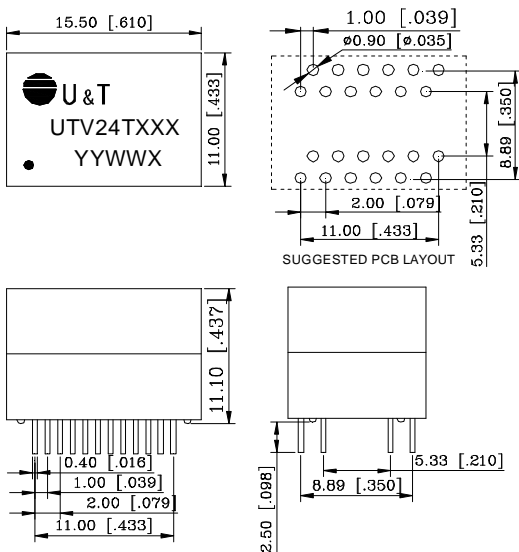
- RoHS compliant
- Compliant with IEEE 802.3bz standard.
- Primary inductance: 180uH Min. @ 100KHz, 0.1 Vrms

Electrical Specification @ 25°C

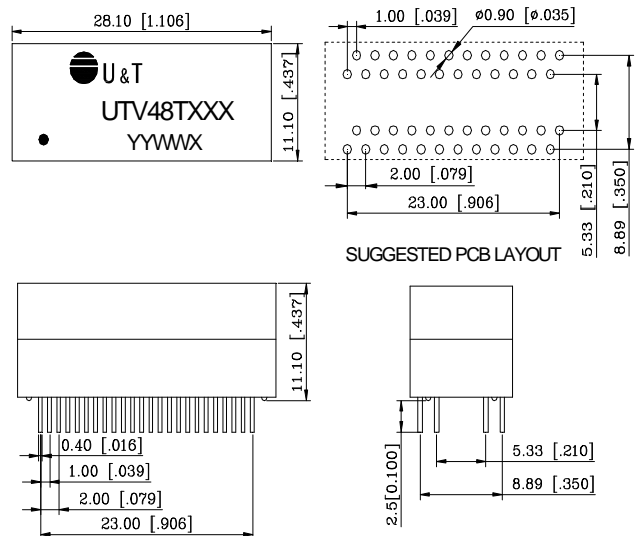
Part No.	Insertion loss		Return loss		CMRR	Cross talk	Operating temperature range	POE	Isolation	Package
	(dB Max)		(dB Typical)		(dB Min)	(dB Min)			Voltage	
	MHz		MHz		MHz	MHz	(Vrms Min)			
	1-100	100-125	1-40	40-250	1-125	1-125				
UTV24T01	-1.0	-1.5	-16dB	-16+10log(f/40)	-30	-30	0-70	af	1500	A
UTV24T01P	-1.0	-1.5	-16dB	-16+10log(f/40)	-30	-30	0-70	at	1500	A
UTV48T01	-1.0	-1.5	-16dB	-16+10log(f/40)	-30	-30	0-70	af	1500	B
UTV48T01P	-1.0	-1.5	-16dB	-16+10log(f/40)	-30	-30	0-70	at	1500	B
UTV96T01	-1.0	-1.5	-16dB	-16+10log(f/40)	-30	-30	0-70	af	1500	C
UTV96T01P	-1.0	-1.5	-16dB	-16+10log(f/40)	-30	-30	0-70	at	1500	C
UTV96T01U	-1.0	-1.5	-16dB	-16+10log(f/40)	-30	-30	0-70	bt	1500	C

Dimension: mm(inch)+/-0.25(0.01)

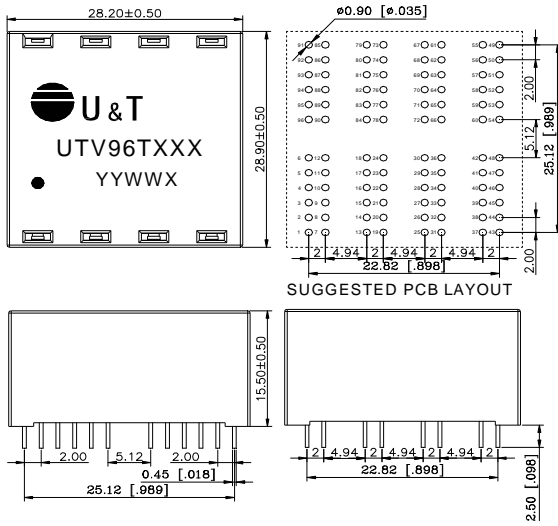
A



B

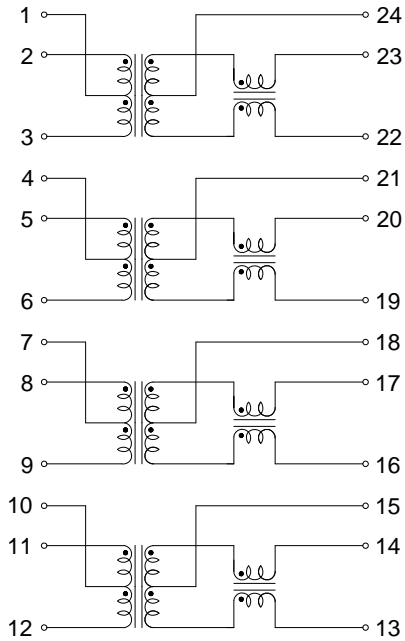


C

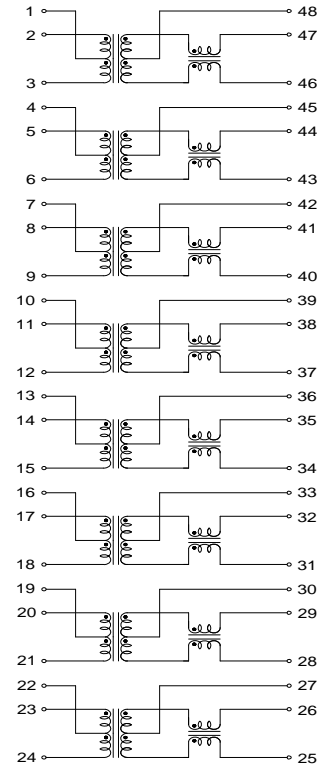


Schematic

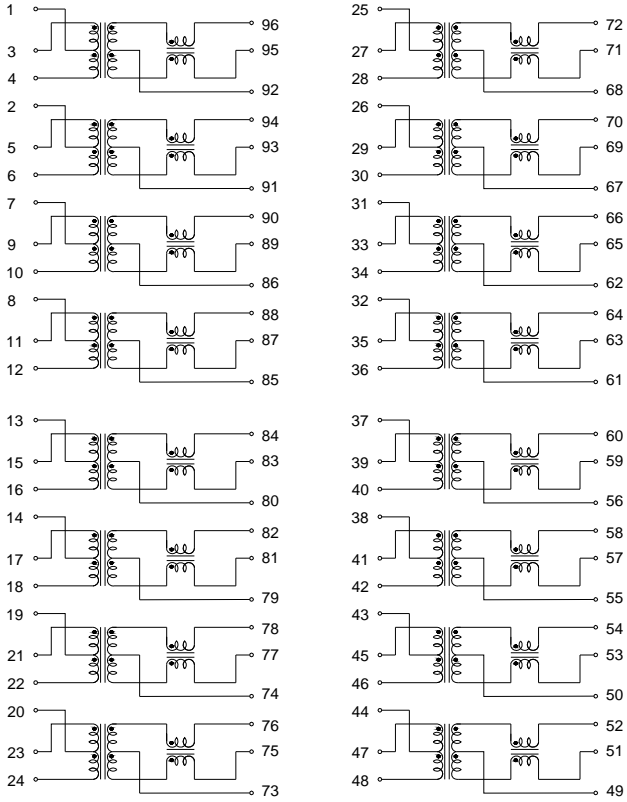
UTV24T01,UTV24T01P



UTV48T01,UTV48T01P



UTV96T01,UTV96T01P,UTV96T01U



Features



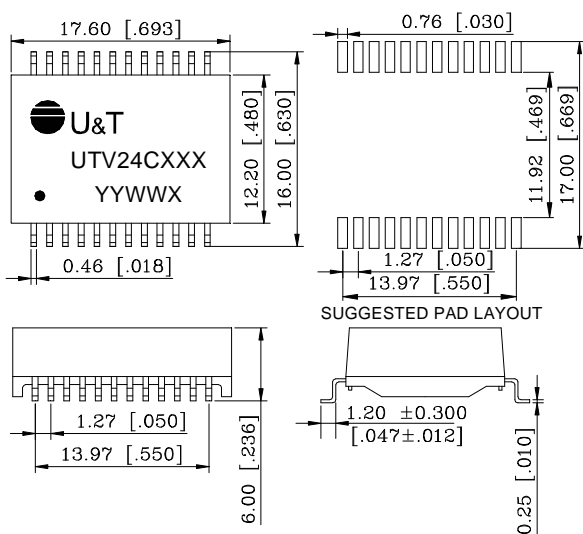
- RoHS compliant
- Compliant with IEEE 802.3bz standard.
- Primary inductance: 180uH Min. @ 100KHz, 0.1 Vrms

Electrical Specification @ 25°C

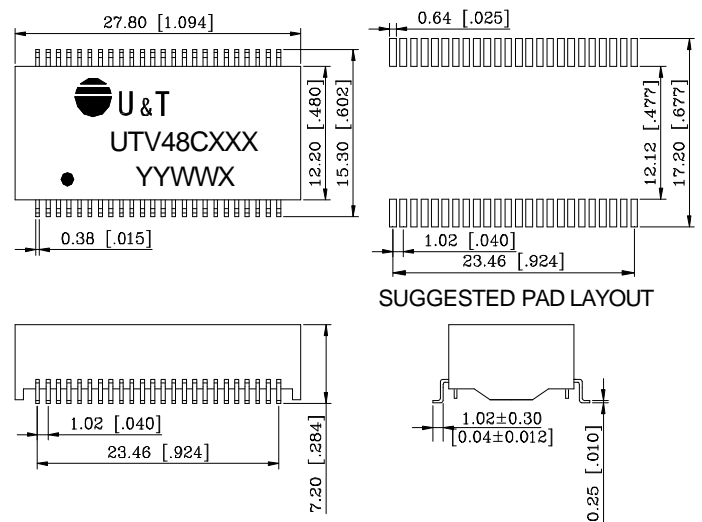
Part No.	Insertion loss		Return loss		CMRR		Cross talk		Operating temperature range	POE	Isolation Voltage (Vrms Min)	Package
	(dB Max)		(dB Typical)		(dB Min)		(dB Min)					
	MHz		MHz		MHz		MHz		°C			
	1-100	100-250	1-40	40-250	1-125	250	1-125	250				
UTV24C50	-1.0	-2.0	-16dB	-16+10log(f/40)	-30	-25	-30	-25	0-70	af	1500	A
UTV24C50P	-1.0	-2.0	-16dB	-16+10log(f/40)	-30	-25	-30	-25	0-70	at	1500	A
UTV24C50W	-1.0	-2.0	-16dB	-16+10log(f/40)	-30	-25	-30	-25	-40+85	af	1500	A
UTV24C51	-1.0	-2.0	-16dB	-16+10log(f/40)	-30	-25	-30	-25	0-70	af	1500	A
UTV24C51P	-1.0	-2.0	-16dB	-16+10log(f/40)	-30	-25	-30	-25	0-70	at	1500	A
UTV24C51U	-1.0	-2.0	-16dB	-16+10log(f/40)	-30	-25	-30	-25	0-70	bt	1500	A
UTV48C50	-1.0	-2.0	-16dB	-16+10log(f/40)	-30	-25	-30	-25	0-70	af	1500	B
UTV48C50P	-1.0	-2.0	-16dB	-16+10log(f/40)	-30	-25	-30	-25	0-70	at	1500	B
UTV48C50U	-1.0	-2.0	-16dB	-16+10log(f/40)	-30	-25	-30	-25	0-70	bt	1500	B

Dimension: mm(inch)+/-0.25(0.01)

A

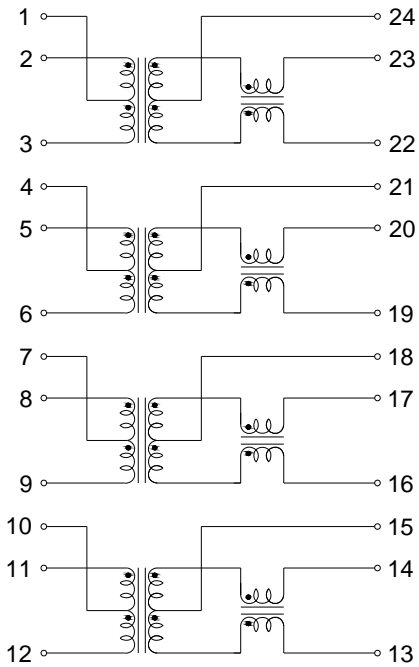


B

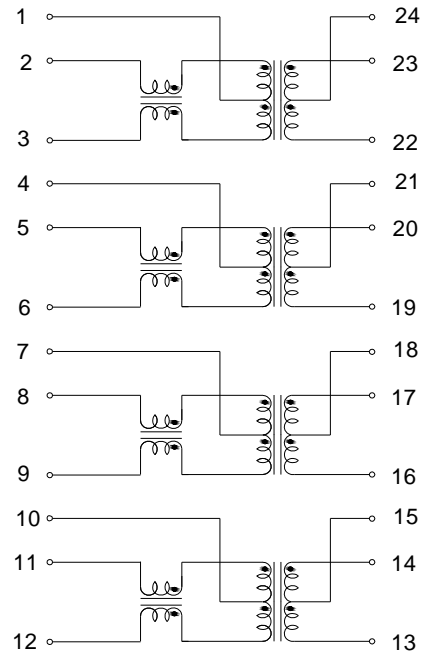


Schematic

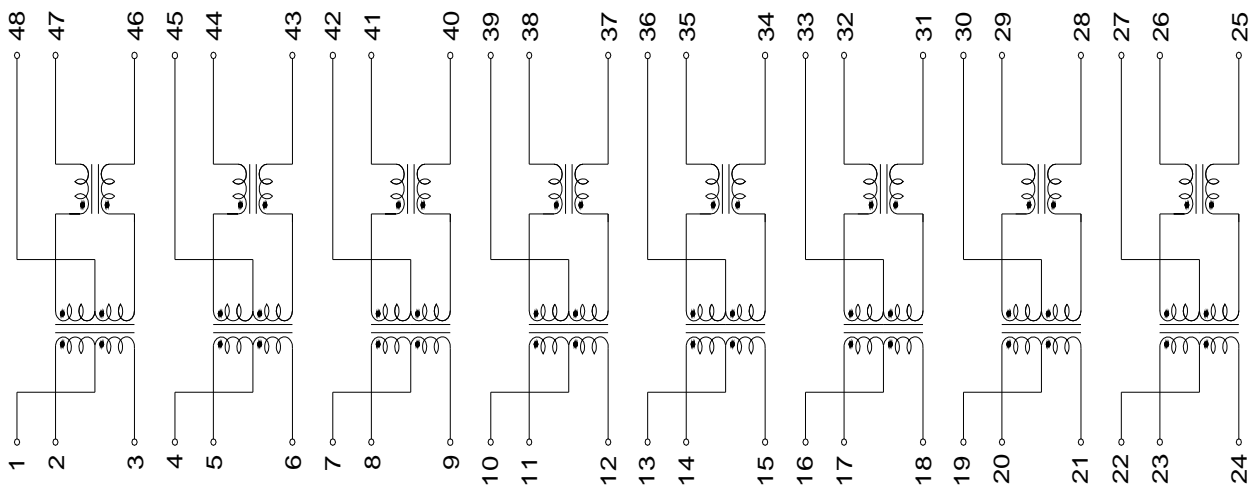
UTV24C50,UTV24C50P,UTV24C50W



UTV24C51,UTV24C51P,UTV24C51U



UTV48C50,UTV48C50P,UTV48C50U



Features



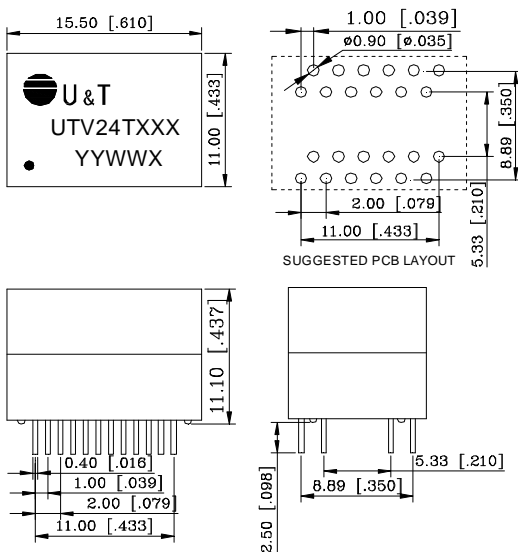
- RoHS compliant
- Compliant with IEEE 802.3bz standard.
- Primary inductance: 180uH Min. @ 100KHz, 0.1 Vrms

Electrical Specification @ 25°C

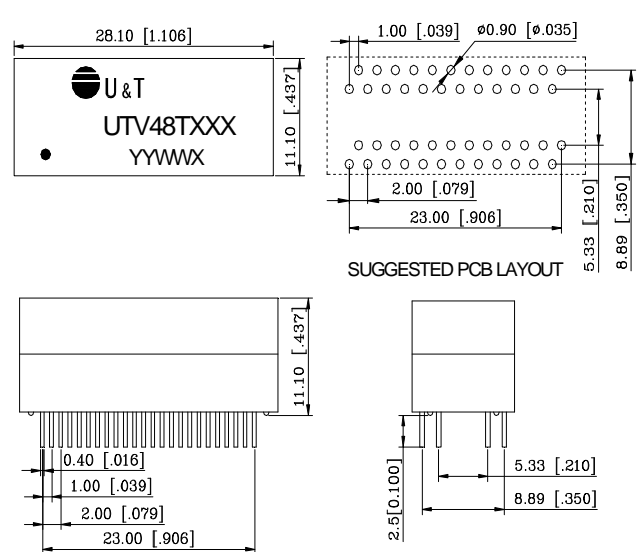
Part No.	Insertion loss		Return loss		CMRR		Cross talk		Operating temperature range	POE	Isolation Voltage (Vrms Min)	Package
	(dB Max)		(dB Typical)		(dB Min)		(dB Min)					
	MHz		MHz		MHz		MHz		°C			
	1-100	100-250	1-40	40-250	1-125	250	1-125	250				
UTV24T50	-1.0	-2.0	-16dB	-16+10log(f/40)	-30	-25	-30	-25	0-70	af	1500	A
UTV24T50P	-1.0	-2.0	-16dB	-16+10log(f/40)	-30	-25	-30	-25	0-70	at	1500	A
UTV48T50	-1.0	-2.0	-16dB	-16+10log(f/40)	-30	-25	-30	-25	0-70	af	1500	B
UTV48T50P	-1.0	-2.0	-16dB	-16+10log(f/40)	-30	-25	-30	-25	0-70	at	1500	B
UTV96T50	-1.0	-2.0	-16dB	-16+10log(f/40)	-30	-25	-30	-25	0-70	af	1500	C
UTV96T50P	-1.0	-2.0	-16dB	-16+10log(f/40)	-30	-25	-30	-25	0-70	at	1500	C
UTV96T50U	-1.0	-2.0	-16dB	-16+10log(f/40)	-30	-25	-30	-25	0-70	bt	1500	C

Dimension: mm(inch)+/-0.25(0.01)

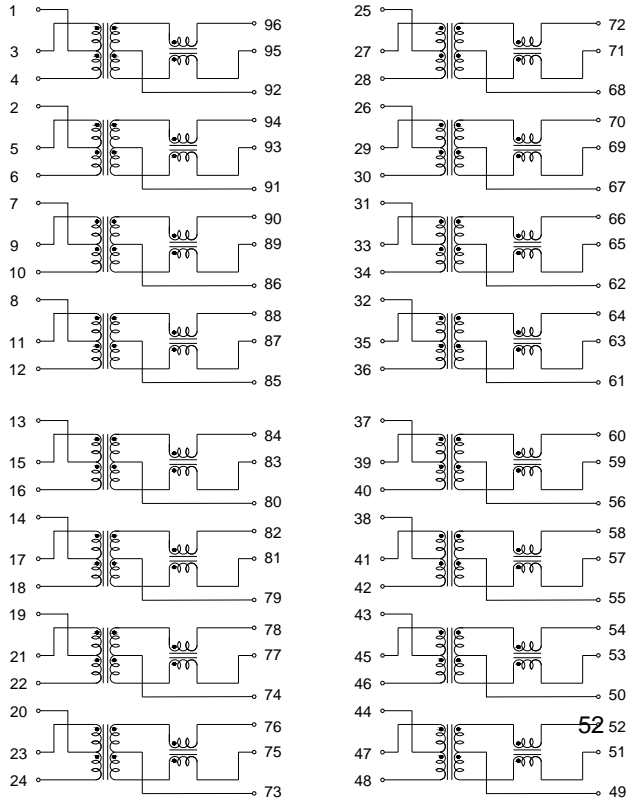
A



B



UTV96T50,UTV96T50P,UTV96T50U



Features



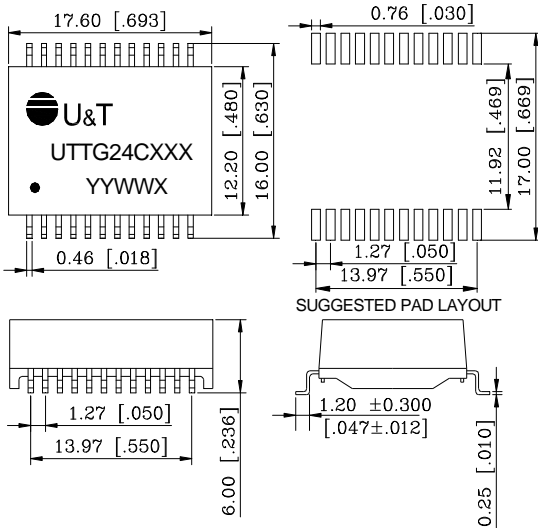
- RoHS compliant
- Compliant with IEEE 802.3an standard.
- Primary inductance: 120uH Min. @ 100KHz, 0.1 Vrms

Electrical Specification @25°C

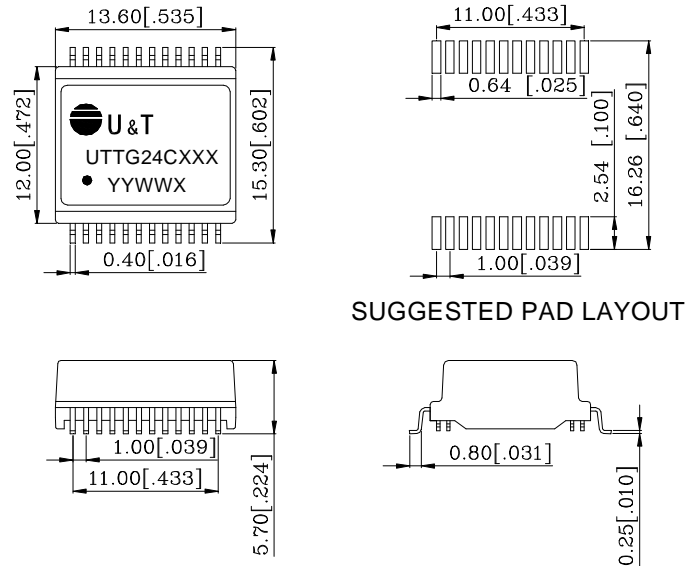
Part No.	Insertion loss		Return loss		CMRR		Cross talk		Operating temperature range	POE	Isolation	Package
	(dB Max)		(dB Typical)		(dB Min)		(dB Min)				Voltage	
	MHz		MHz		MHz		MHz		°C	(Vrms Min)		
	1-250	250-500	1-40	40-500	1-100	500	1-100	500				
UTTG24C01	-1.5	-3.0	-16dB	-16+10log(f/40)	-30	-20	-35	-30	0-70	af	1500	A
UTTG24C01P	-1.5	-3.0	-16dB	-16+10log(f/40)	-30	-20	-35	-30	0-70	at	1500	A
UTTG24C02	-1.5	-3.0	-16dB	-16+10log(f/40)	-30	-20	-35	-30	0-70	af	1500	A
UTTG24C02P	-1.5	-3.0	-16dB	-16+10log(f/40)	-30	-20	-35	-30	0-70	at	1500	A
UTTG24C02Q	-1.5	-3.0	-16dB	-16+10log(f/40)	-30	-20	-35	-30	-40+85	at	1500	A
UTTG24C02U	-1.5	-3.0	-16dB	-16+10log(f/40)	-30	-20	-35	-30	0-70	bt	1500	A
UTTG24C03	-1.5	-3.0	-16dB	-16+10log(f/40)	-30	-20	-35	-30	0-70	af	1500	A
UTTG24C03P	-1.5	-3.0	-16dB	-16+10log(f/40)	-30	-20	-35	-30	0-70	at	1500	A
UTTG24C03W	-1.5	-3.0	-16dB	-16+10log(f/40)	-30	-20	-35	-30	-40+85	af	1500	A
UTTG24C08	-1.5	-3.0	-16dB	-16+10log(f/40)	-30	-20	-35	-30	0-70	af	1500	B
UTTG24C08P	-1.5	-3.0	-16dB	-16+10log(f/40)	-30	-20	-35	-30	0-70	at	1500	B
UTTG24C08W	-1.5	-3.0	-16dB	-16+10log(f/40)	-30	-20	-35	-30	-40+85	af	1500	B
UTTG24C10	-1.5	-3.0	-16dB	-16+10log(f/40)	-30	-20	-35	-30	0-70	af	1500	B
UTTG24C10P	-1.5	-3.0	-16dB	-16+10log(f/40)	-30	-20	-35	-30	0-70	at	1500	B
UTTG24P05	-1.5	-3.0	-16dB	-16+10log(f/40)	-30	-20	-35	-30	0-70	af	1500	C
UTTG48C01	-1.5	-3.0	-16dB	-16+10log(f/40)	-30	-20	-35	-30	0-70	af	1500	D
UTTG48C01P	-1.5	-3.0	-16dB	-16+10log(f/40)	-30	-20	-35	-30	0-70	at	1500	D

Dimension: mm(inch) \pm 0.25(0.01)

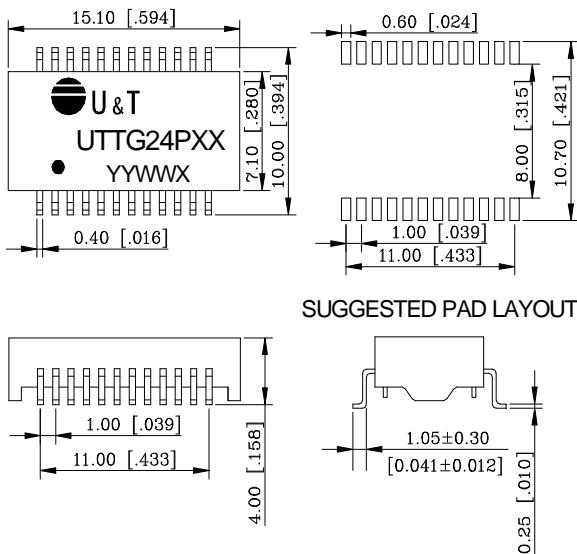
A



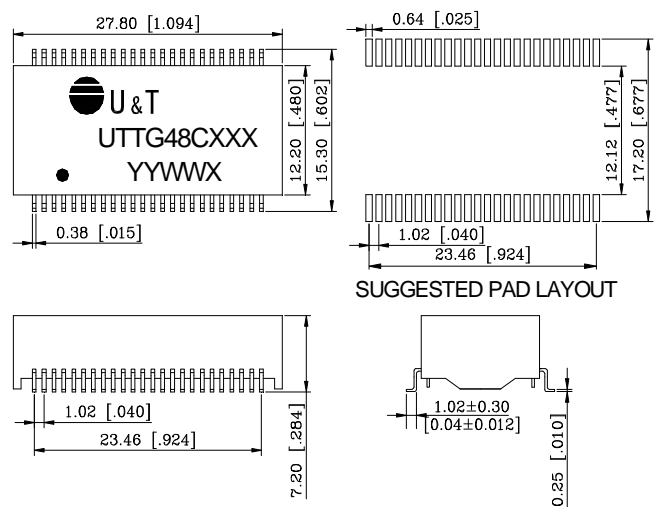
B



C

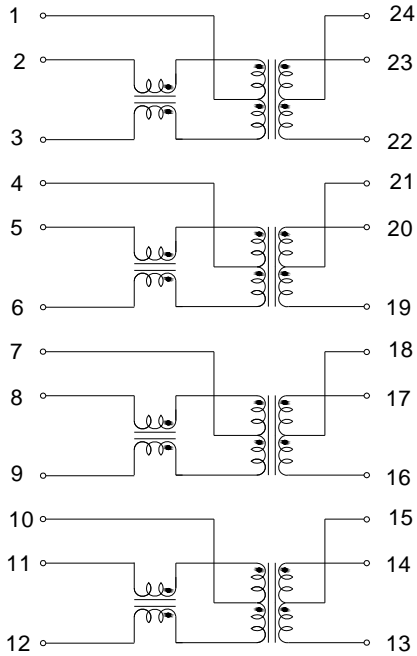


D

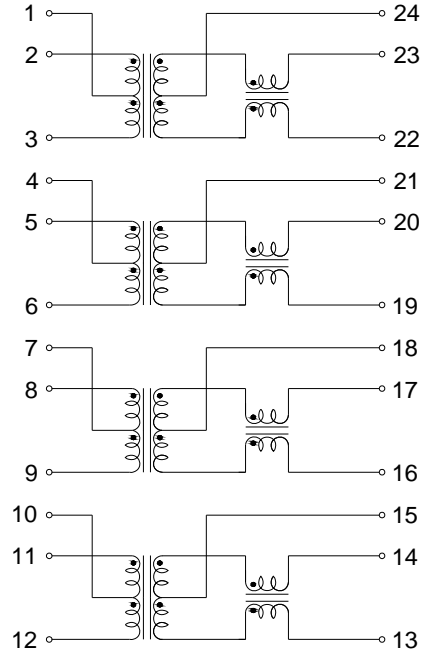


Schematic

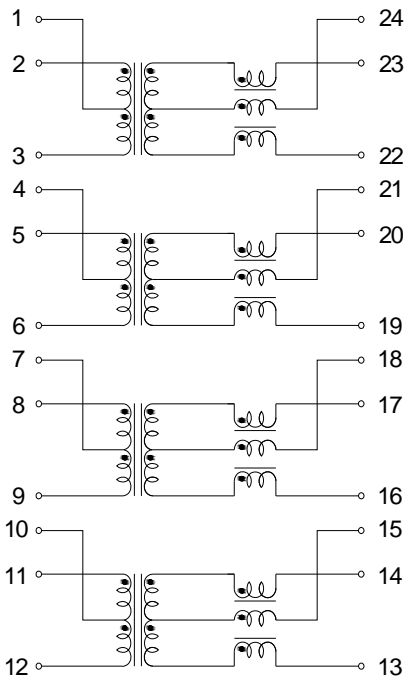
UTT G24C01,UTT G24C01P



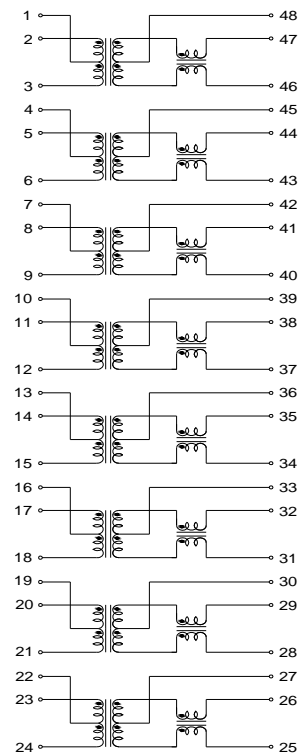
**UTT G24C02,UTT G24C02P,UTT G24C02Q,UTT G24C02U
 ,UTT G24C10,UTT G24C10P,UTT G24P05**



**UTT G24C03,UTT G24C03P,UTT G24C03W,UTT G24C08,
 UTT G24C08P,UTT G24C08W**



UTT G48C01,UTT G48C01P



Features

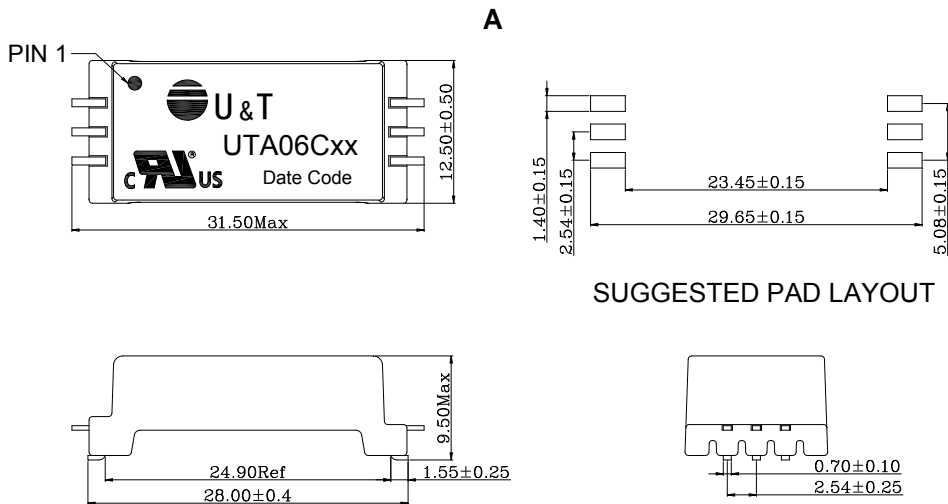


- RoHS compliant
- Comply with AEC-Q200.
- Compliant to J-STD-020: level 1, no moisture sensitive. (Tp: 250°C Max.)
- OCL: 150uH ~ 450uH . @100KHz/0.1V.
- Operating temperature range: -40°C to +125°C.
- Product scrap disposal based on the local laws and regulations.

Electrical Specification@25°C

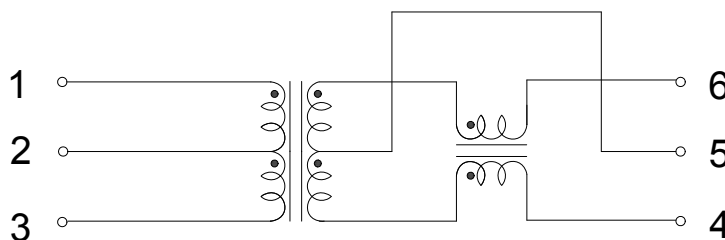
Part No.	Insertion loss	Return loss	CMRR	DCR		LK	Turns Ratio	Hi-pot	Isolation	Creepage distance	Working voltage	Package
	dB Max	dB Min	dB Typ	Ohm Max		uH Max						
	MHz	MHz	MHz	Transformer side	CM choke side	KHz						
	4	4	1-100			100						
UTA06C02	-1.2	-6	-50	0.45	0.80	0.5	1:1	6000	Reinforced	>15mm	1500	A

Dimension: mm(inch)+/-0.25(0.01)



Schematic

UTA06C02



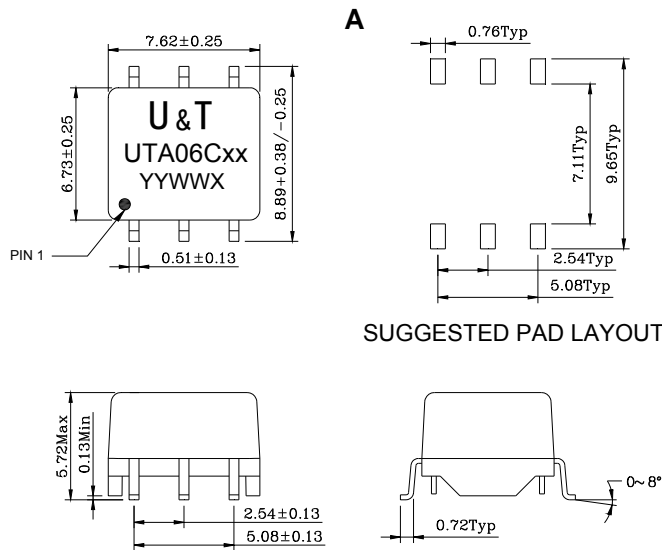
Features



- RoHS compliant
- Comply with AEC-Q200.
- Compliant to J-STD-020: level 1, no moisture sensitive. (Tp: 250°C Max.)
- OCL: 150uH ~ 450uH . @100KHz/0.1V.
- Operating temperature range: -40°C to +125°C.
- Product scrap disposal based on the local laws and regulations.

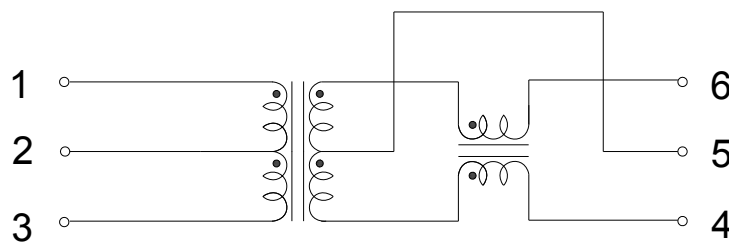
Electrical Specification@25°C													
Part No.	Insertion loss	Return loss	CMRR		DCR		LK	Turns Ratio	Hi-Pot	Isolation	Creepage distance	Working voltage	Package
	dB Max	dB Min	dB Min		Ohm Max		uH Max						
	MHz	MHz	MHz		Transf ormer side	CM choke side	KHz	VCD Min	VDC Min				
	4	4	1-100	100-200			100						
UTA06C06	-0.25	-22	-35	-28	0.45	0.85	0.5	1:1	4300	Functional	>5mm	1000	A

Dimension: mm(inch)+/-0.25(0.01)



Schematic

UTA06C06



Features

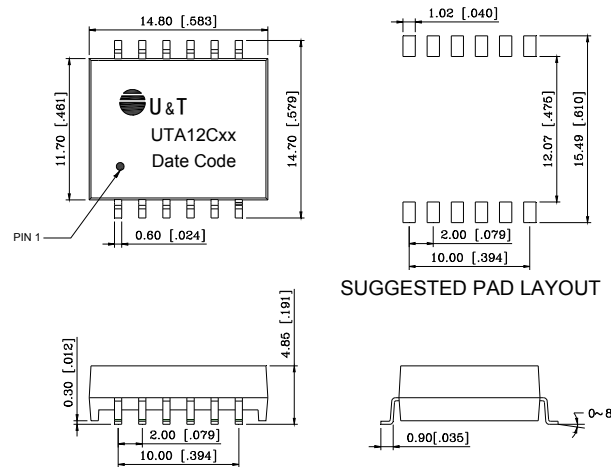


- RoHS compliant
- Comply with AEC-Q200.
- Compliant to J-STD-020: level 1, no moisture sensitive. (Tp: 250°C Max.)
- OCL: 150uH ~ 450uH . @100KHz/0.1V.
- Operating temperature range: -40°C to +125°C.
- Product scrap disposal based on the local laws and regulations.

Electrical Specification@25°C													
Part No.	Insertion loss	Return loss	CMRR		DCR		LK	Turns Ratio	Hi-Pot	Isolation	Creepage distance	Working voltage	Package
	dB Max	dB Min	dB Min		Ohm Max		uH Max						
	MHz	MHz	MHz		Transf ormer side	CM choke side	KHz						
	4	4	1-100	100-200			100						
UTA12C01	-0.25	-22	-35	-28	0.45	0.85	0.5	1:1	4300	Functional	>5mm	1000	A

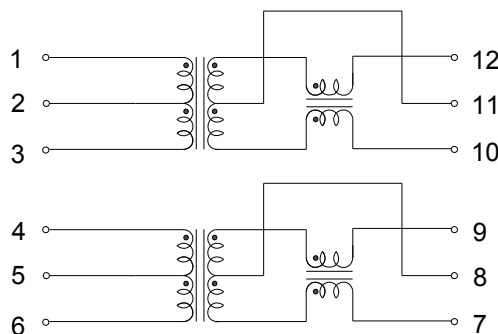
Dimension: mm(inch)+/-0.25(0.01)

A

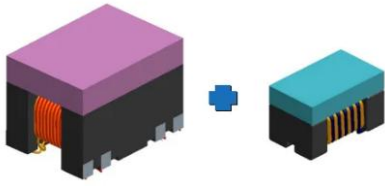


Schematic

UTA12C01



Feature and Benefits



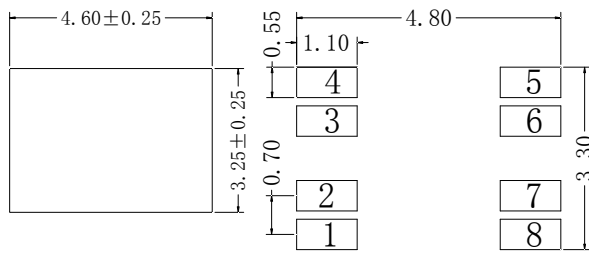
- Comply with RoHS requirements.
- Compliant with IEEE 802.3bz standard.
- High common mode impedance at high frequency effects excellent noise suppression performance.
- High-quality product that uses auto winding.

Electrical Specification@25°C

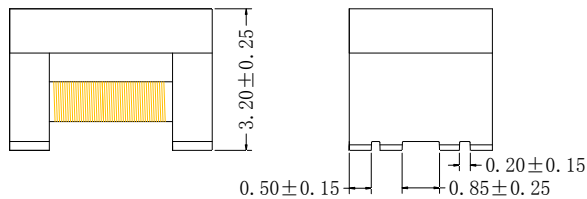
Part No.	inductance	capacitance	Insertion Loss dB Max@MHz	Return Loss(dB Min@MHz)					PoE	Operating temperature range	Hi-Pot (Vrms Min) 60S/AC	Type	Dimension
	100MHz/0.1V 8mA DC	100MHz/0.1V		1~100	100~200	200~250	250~400	400~500					
UTC08C004	180uH Min	35pF Max	-1.4dB Max 1-200MHz	-24	-17	-16	/	/	Non	-40~105°C	1500	2.5G/5G	A
UTC08C004P	180uH Min	35pF Max	-1.4dB Max 1-200MHz	-24	-17	-16	/	/	at	-40~105°C	1500	2.5G/5G	A
UTC06C004P	180uH Min	35pF Max	-1.4dB Max 1-200MHz	-24	-17	-16	/	/	at	-40~105°C	1500	2.5G/5G	C
UTC08C005	120uH Min	35pF Max	-3.0dB Max 1-500MHz	-16	-14	-12	-10	-8	Non	-40~105°C	1500	10G	A
UTC08C006	200uH Min	35pF Max	-1.0dB Max 1-100MHz	-12	/	/	/	/	Non	-40~105°C	1500	1G	A
UTC06C006	240uH Min	35pF Max	-1.0dB Max 1-100MHz	-12	/	/	/	/	Non	-40~105°C	1500	1G	C
UTC08C008	180uH Min	25pF Max	-1.0dB Max 1-100MHz	-12	/	/	/	/	Non	-40~105°C	1500	1G	B
UTC08C008P	180uH Min	25pF Max	-1.0dB Max 1-100MHz	-12	/	/	/	/	at	-40~105°C	1500	1G	B
UTV3532C01	180uH Min	35pF Max	-2.0dB Max 1-250MHz	-18	-13	-10	/	/	Non	-40~105°C	1500	2.5G	D
UTT3532C01	120uH Min	35pF Max	-2.0dB Max 1-400MHz	-20	-17	-15	-13	-12	Non	-40~105°C	1500	10G	D

Dimension: mm(inch)+/-0.25(0.01)

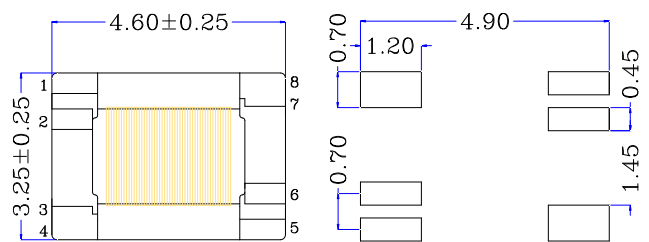
A



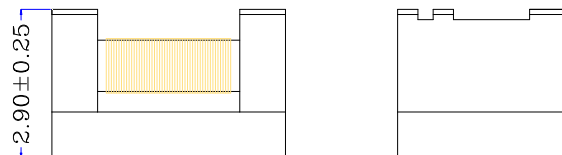
SUGGESTED PAD LAYOUT



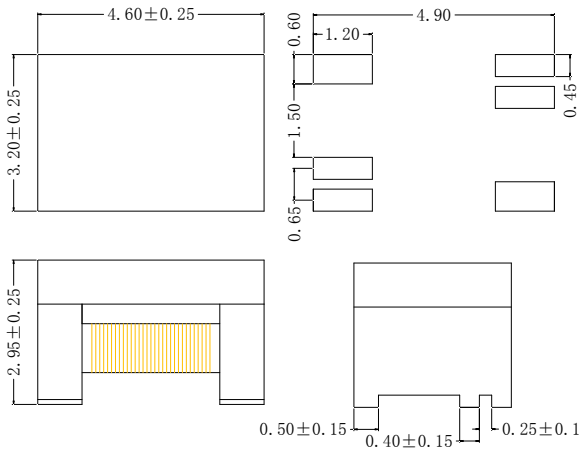
B



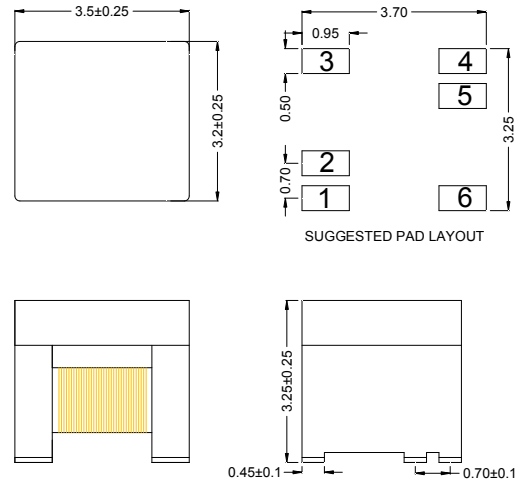
SUGGESTED PAD LAYOUT



C

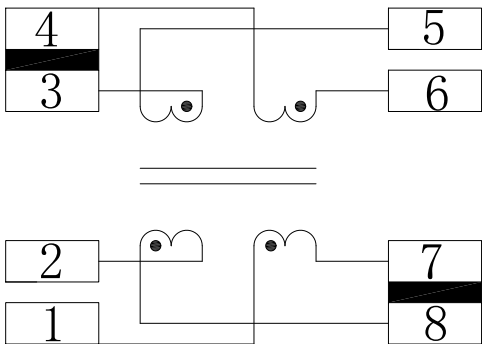


D

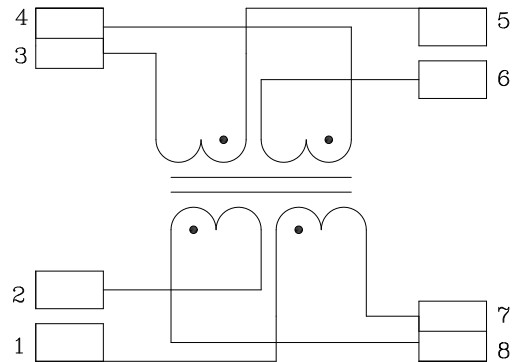


Schematic

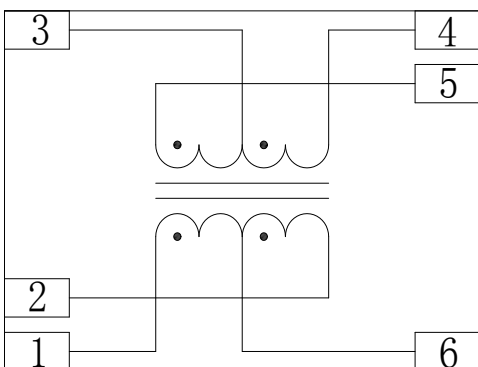
A1



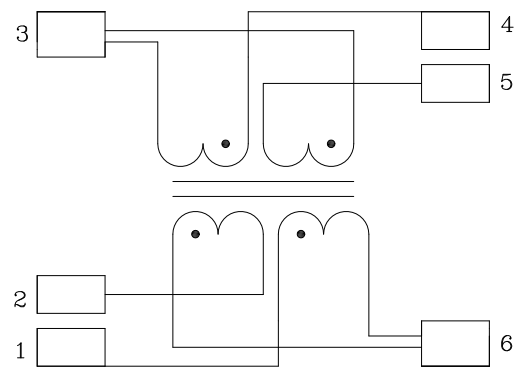
B1

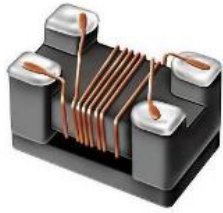


C1



D1





Feature and Benefits

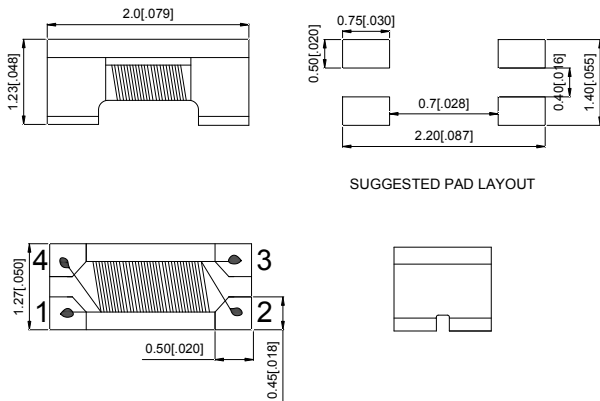
- Comply with RoHS requirements.
- Compliant with IEEE 802.3bz standard.
- High common mode impedance at high frequency effects excellent noise suppression performance.
- High-quality product that uses auto winding.

Electrical Specification@25°C

Part No.	inductance	capacitance	D.C.R	impedance	Rated Current	Rated Volt	IR	Dimension
	100MHz/0.1V	100MHz/0.2V	100MHz/0.1V	100MHz/1V			500V /3S	
UTC2012C01	/	/	0.9Ω Max	800±25%	300mA	50V/DC	10MΩ Min	A
UTC2012C02	/	/	0.59Ω Max	260±25%	220mA	50V/DC	10MΩ Min	A
UTC2012C03	/	/	0.3Ω Max	90±25%	500mA	50V/DC	10MΩ Min	A
UTC2012C04	/	/	0.3Ω Max	120±25%	350mA	50V/DC	10MΩ Min	A
UTC2012C01L	/	/	0.95Ω Max	800±25%	300mA	50V/DC	10MΩ Min	A
UTD3216C01	60uH Min	35pF Max	1.7Ω Max	/	200mA	50V/DC	10MΩ Min	B
UTD3216C02	40uH Min	10pF Max	2.0Ω Max	/	100mA	50V/DC	10MΩ Min	B
UTD3216C03	20uH Min		1.0Ω Max	/	350mA	50V/DC	10MΩ Min	B
UTD3216C01L	60uH Min	32pF Max	1.8Ω Max	/	200mA	50V/DC	10MΩ Min	B

Dimension: mm(inch)+/-0.25(0.01)

A

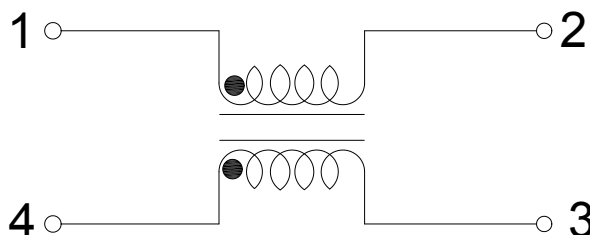


B



Schematic

C



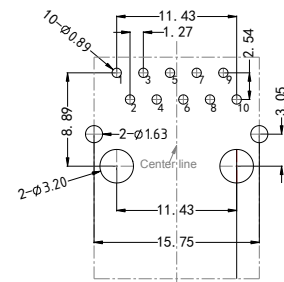
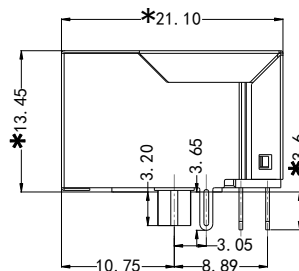
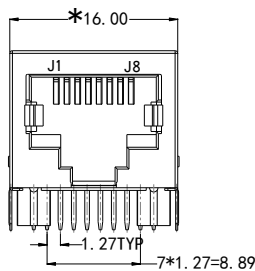
Features

- RoHS compliant
- Meets IEEE802.3 specification.
- RoHS peak wave solder temperature rating 260°C.
- OCL: 350uH Min . @8mA DC bias current.
- Operating temperature range: 0°C to +70°C.

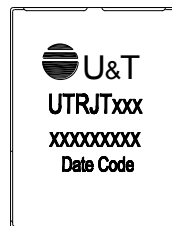
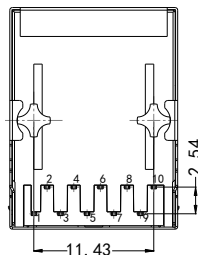
Part No.	LED L/R	Latch	Turns Ratio (±2%)	Return Loss (dB Typ)					CMRR (dB Typ)	Cross Talk (dB Typ)	Hi-pot (VDC Min)	Circuit	Package
				1-100 MHz	1-30 MHz	30-60 MHz	60-80 MHz	80-100 MHz					
UTRJTG00 021190040	None	Down	1:1	-1.0	-18	-14	-12	-10	-30	-30	2250	A	A
UTRJCG00 021102450	G/Y	Up	1:1	-1.0	-18	-12	-10	-8	-30	-30	2250	A	B
UTRJTG00 021206625	GY/GY	Up	1:1	-1.0	-18	-12	-10	-8	-30	-30	2250	B	C
UTRJTG00 011492225	G/G	Down	1:1	-1.0	-18	-12	-10	-8	-30	-30	2250		

Dimension: mm(inch)+/-0.25(0.01)

A

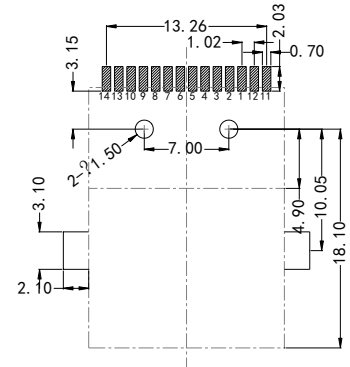
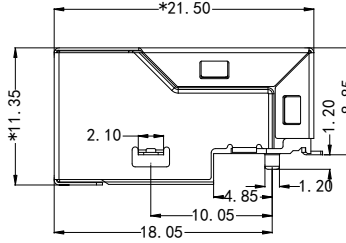
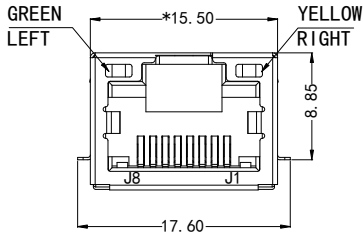


Recommended PCB Layout

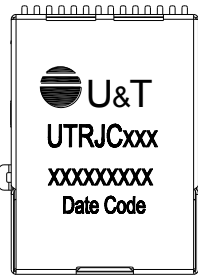
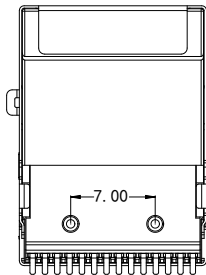


Plug In Side

B

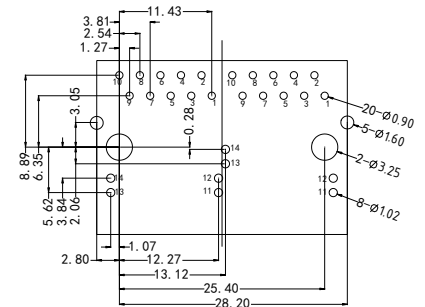
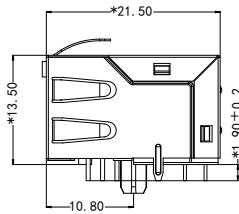
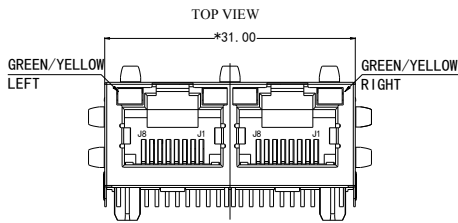


Recommended PCB Layout

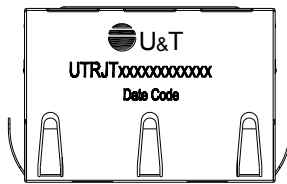
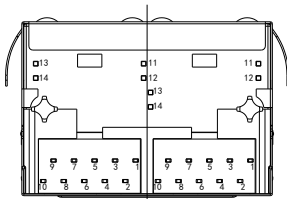


Plug In Side

C

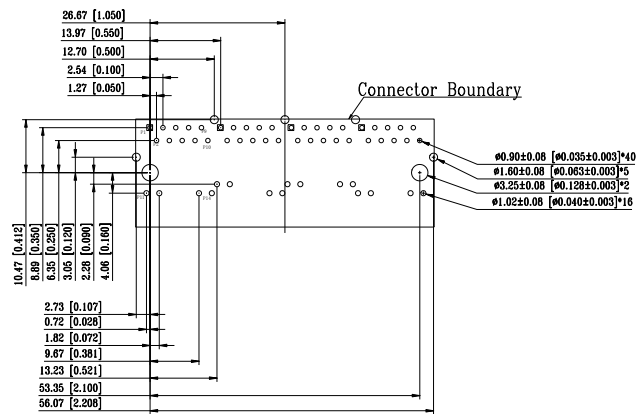
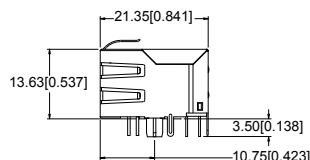
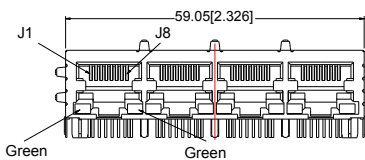


RECOMMENDED PCB LAYOUT
VIEWED FROM COMPONENT SIDE

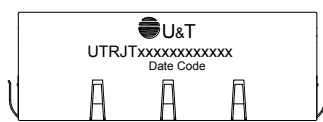
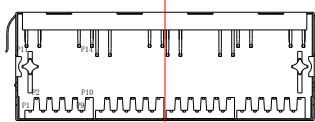


Plug In Side

D



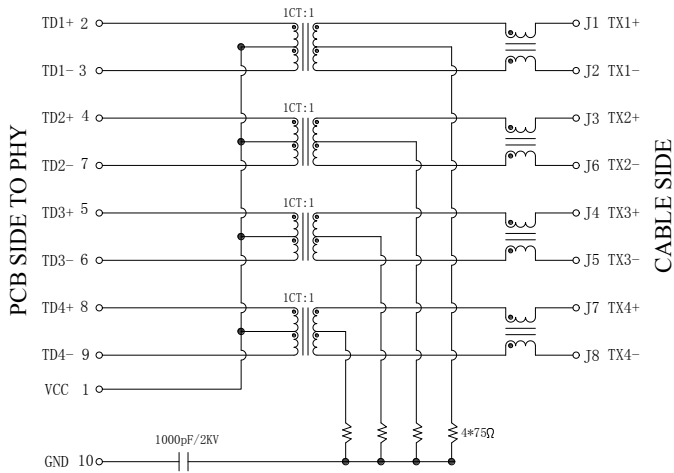
Recommended PCB Layout



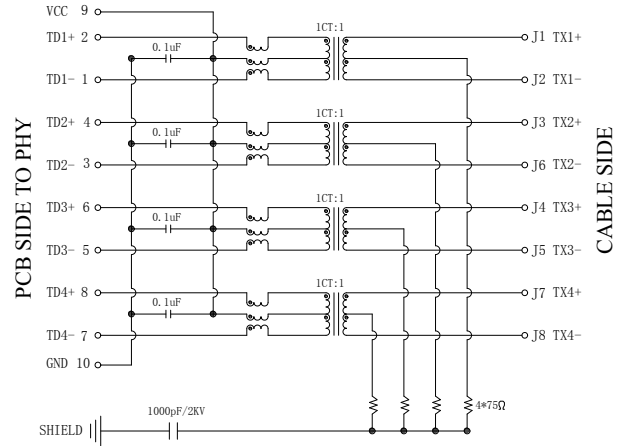
Plug In Side

Schematic

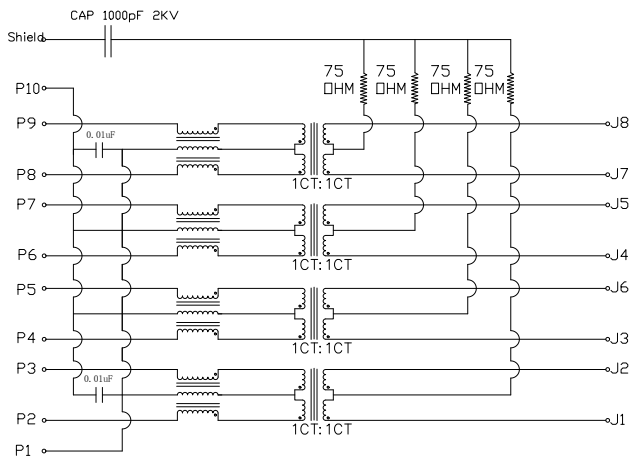
A



B



C



Features

- RoHS compliant
- Meets IEEE802.3 specification.
- RoHS peak wave solder temperature rating 260°C.
- OCL: 350uH Min . @8mA DC bias current.
- Operating temperature range: 0°C to +70°C.

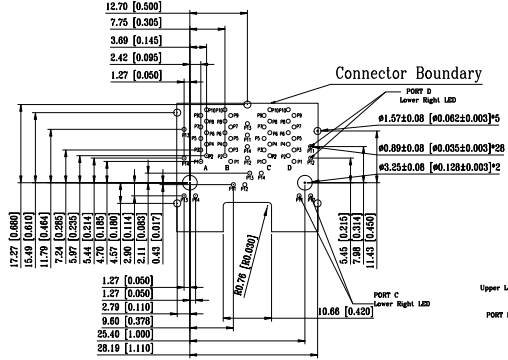
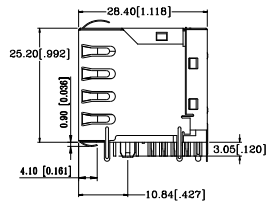
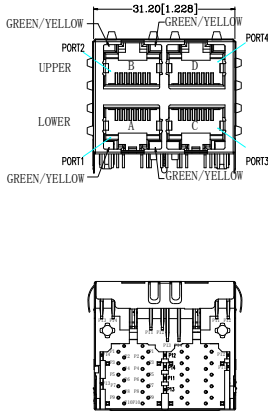
Part No.	LED L/R	Latch	Turns Ratio (±2%)	Insertion Loss (dB Typ)					Return Loss (dB Typ)		CMRR (dB Typ)	Cross Talk (dB Typ)	Hi-pot (VDC Min)	Circuit	Package
				1-100 MHz	1-30 MHz	30-60 MHz	60-80 MHz	80-100 MHz	1-100 MHz	1-100 MHz					
UTRJTG00 012122420	G/Y	Both	1:1	-1.0	-18	-12	-10	-8	-30	-30	2250	A	A		
UTRJTG00 012216625	GY/GY	Both	1:1	-1.0	-18	-12	-10	-8	-30	-30	2250	B	B		

Dimension: mm(inch)+/-0.25(0.01)

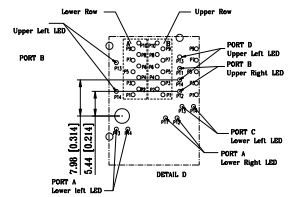
A



B

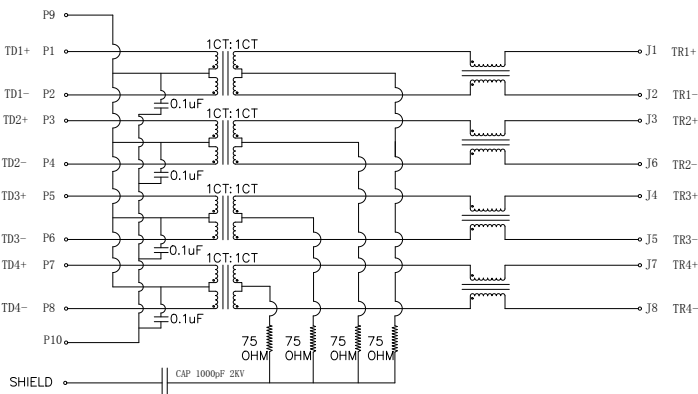


Recommended PCB Layout

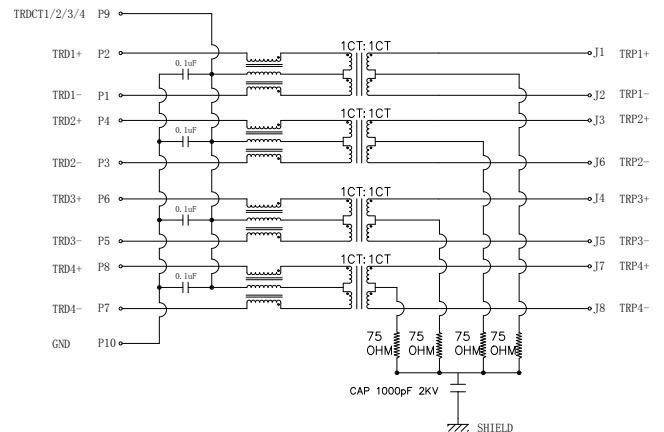


Schematic

A



B



Features

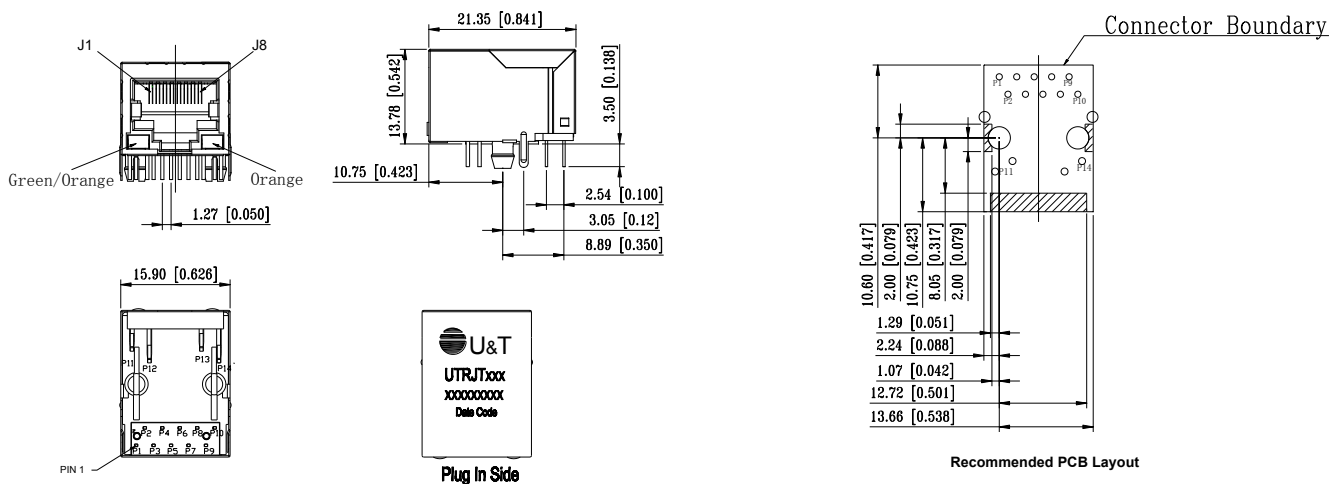
- RoHS compliant
- Meets IEEE802.3 specification.
- RoHS peak wave solder temperature rating 260°C.
- OCL: 180uH Min . @ 100KHz,0.1v.
- Operating temperature range: 0°C to +70°C.

Part No.	LED L/R	Latch	Turns Ratio (±2%)	Insertion Loss (dB Typ)		Return Loss (dB Typ)			CMRR (dB Typ)		Hi-pot (VDC Min)
				1-125 MHz	125-400 MHz	1-40 MHz	40-250 MHz	250-500 MHz	1-200 MHz	200-500 MHz	
UTRJTV4H 011193140	None	Down	1:1	-1.0	/	-16	-16+10log(F /40MHz)	/	-30	/	2250

Part No.	Cross Talk (dB Typ)		Circuit	Package
	1-125 MHz	125-500 MHz		
UTRJTV4H 011193140	-30	/	A	A

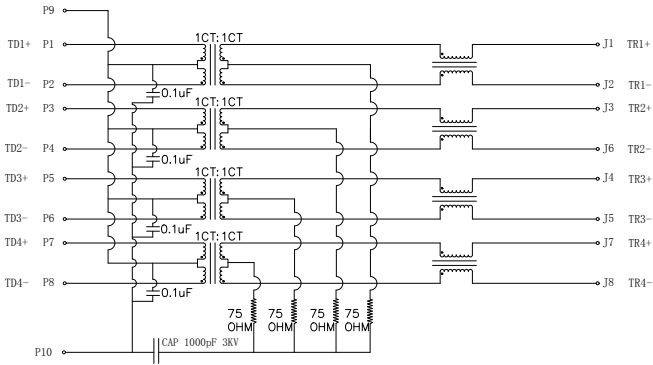
Dimension: mm(inch)+/-0.25(0.01)

A



Schematic

A





RJ45 ICM(2*N Series) 2.5/5/10G BASE-T

Features

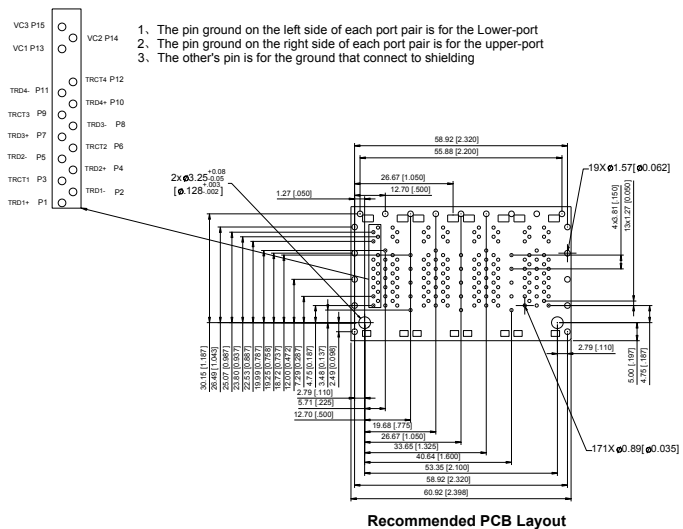
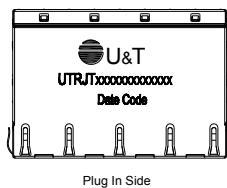
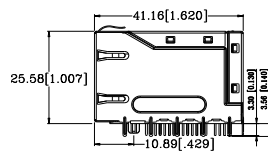
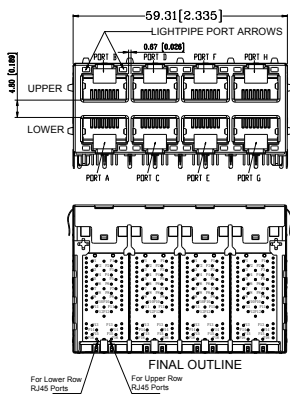
- RoHS compliant
- Meets IEEE802.3 specification.
- RoHS peak wave solder temperature rating 260°C.
- OCL: 180uH Min . @ 100KHz,0.1v.
- Operating temperature range: 0°C to +70°C.

Part No.	LED L/R	Latch	Turns Ratio (±2%)	Insertion Loss (dB Typ)		Return Loss (dB Typ)			CMRR (dB Typ)		Hi-pot (VDC Min)
				1-125 MHz	125-400 MHz	1-40 MHz	40-250 MHz	250-500 MHz	1-200 MHz	200-500 MHz	
UTRJTTU0 012428825	LIGHT PIPES	Both	1:1	-1.0	-2.0	-16	-16+10log(F /40MHz)	-22+20.75log(f/100)	-30	-26	2250

Part No.	Cross Talk (dB Typ)		Circuit	Package
	1-125 MHz	125-500 MHz		
UTRJTV4H 011193140	-30	-19	A	A

Dimension: mm(inch)+/-0.25(0.01)

A



Schematic

A

